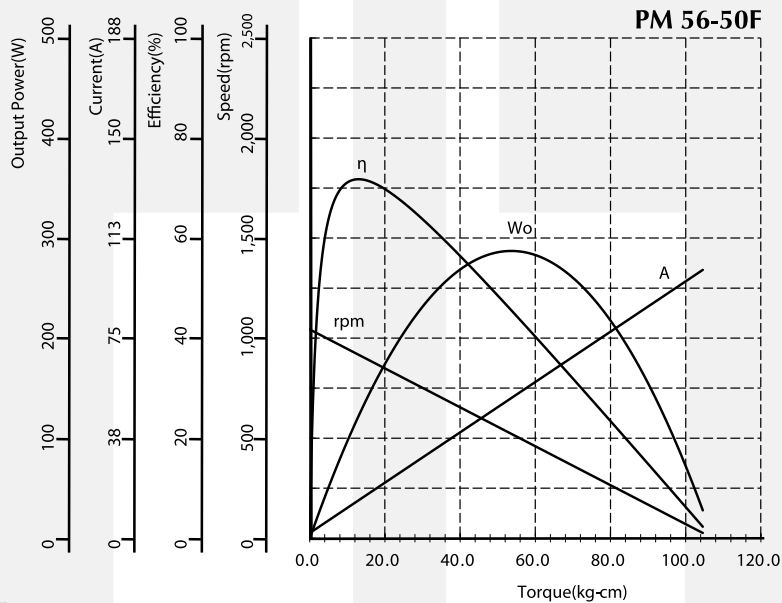




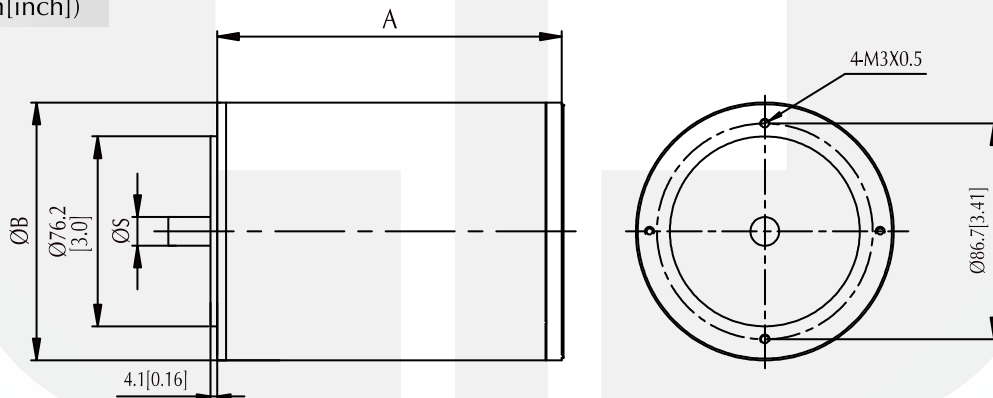
Industrial PMDC Motor - PM56R Series

Voltage : 12 - 36V DC
 Rated Speed : 800 - 4,000rpm
 Rated Torque : 12.85 - 23.36kg-cm[11.15 - 20.28lb-in]
 Rated Input Power : 400 - 3,000W
 Insulation Class : A, E, B
 Motor Diameter : Ø143mm[5.63inch]
 Typical Application : Hydraulic Pump, Vibrator

Performance Curve



Dimension (mm[inch])



Performance (testing under room temperature)

Model	Dim A mm[inch]	Dim B mm[inch]	Dim S mm[inch]	Rated Voltage (V DC)	No Load		At Maximum Efficiency				Maximum Power			
					Speed (rpm)	Current (A)	Speed (rpm)	Current (A)	Torque (kg-cm[lb-in])	Output (W)	Speed (rpm)	Current (A)	Torque (kg-cm[lb-in])	Output (W)
PM56R-50F	165.1[6.5]	143[5.63]	17.0[0.67]	12	1,043	1.95	918	14.07	12.85[11.15]	121.14	522	52.35	53.30[46.26]	285.7
PM56R-55F	170.4[6.71]	143[5.63]	17.0[0.67]	12	4,797	10.63	4,317	111.38	23.36[20.28]	1,035.6	2,396	514.46	116.59[101.20]	2,868.8
PM56R-70I	200.5[7.89]	143[5.63]	17.0[0.67]	24	1,295	1.54	1,165	14.26	22.38[19.42]	267.76	648	65.08	111.53[96.80]	742

The information above is for reference only, detailed specification is subject to final confirmation