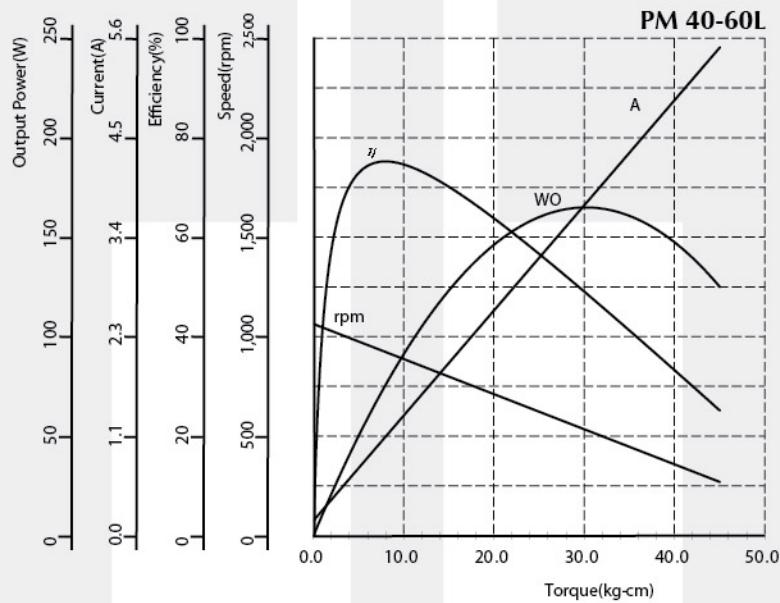




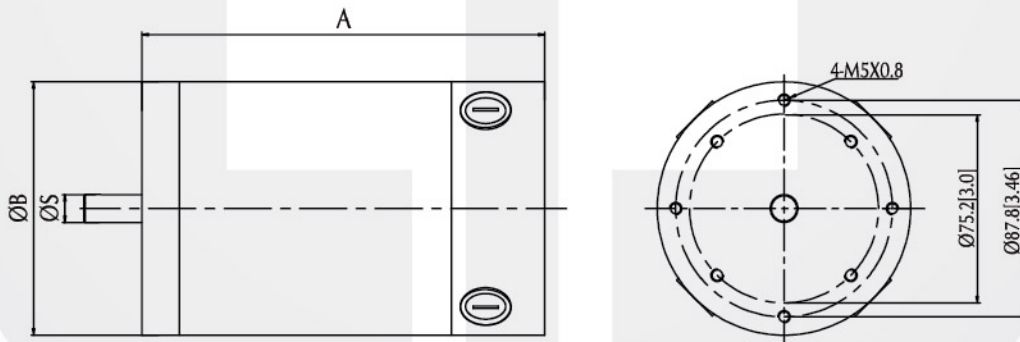
Industrial PMDC Motor - PM40R Series

Voltage : 24 - 115V DC
 Rated Speed : 800 - 15,000rpm
 Rated Torque : 7.83 - 13.10kg-cm[6.80 - 11.37lb-in]
 Rated Input Power : 300 - 2,000W
 Insulation Class : A, E, B
 Motor Diameter : Ø102.6mm[4.04inch]
 Typical Application : Lift

Performance Curve



Dimension (mm[inch])



Performance (testing under room temperature)

Model	Dim A mm[inch]	Dim B mm[inch]	Dim S mm[inch]	Rated Voltage (V DC)	No Load		At Maximum Efficiency				Maximum Power			
					Speed (rpm)	Current (A)	Speed (rpm)	Current (A)	Torque (kg-cm[lb-in])	Output (W)	Speed (rpm)	Current (A)	Torque (kg-cm[lb-in])	Output (W)
PM40R-60L	166.1[6.54]	102.6[4.04]	9.53[0.38]	90	1,064	0.17	926	1.1	7.83[6.80]	74.5	532	3.8	30.2[26.20]	165
PM40R-65I	132.4[5.21]	102.6[4.04]	9.53[0.38]	24	5,050	3.2	4,368	21.0	8.54[7.41]	383.1	2,300	81	38.0[32.98]	897.6
PM40R-70I	165.1[6.5]	102.6[4.04]	9.53[0.38]	24	4,820	5.6	4,169	32.4	13.10[11.37]	560.9	2,200	152	80.0[69.44]	1,807

The information above is for reference only, detailed specification is subject to final confirmation

Email: sales@cclmotors.com Website: <http://www.cclmotors.com>
 4/F, No. 6, On Lok Mun Street, On Lok Tsuen, Fanling, N.T., Hong Kong.

Tel: (852) 3125 0000 Fax: (852) 3125 0125