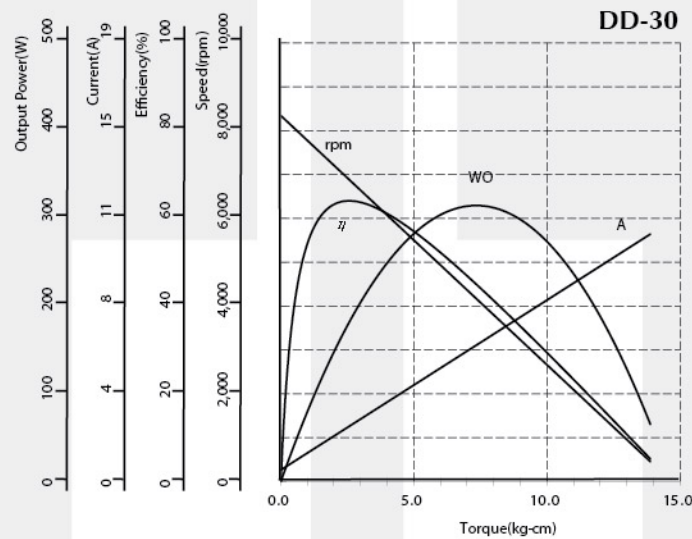




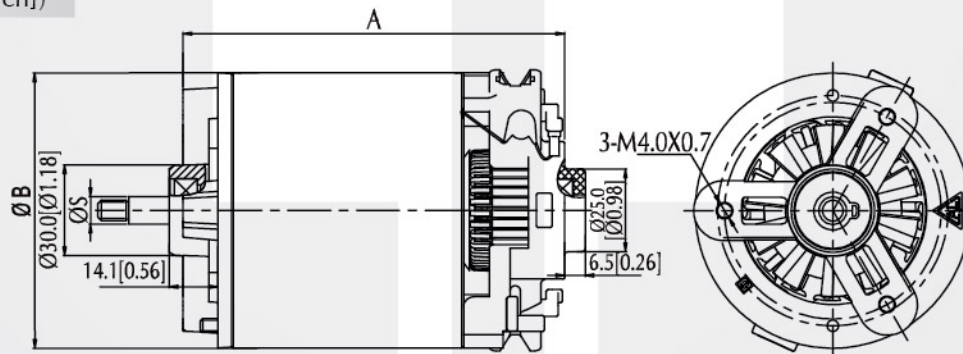
High Voltage PMDC Motor - DD Series

Voltage : 100 - 250V DC
 Rated Speed : 3,000 - 13,000rpm
 Rated Torque : 2.20 - 3.93kg-cm[1.91 - 3.41lb-in]
 Rated Input Power : 100 - 600W
 Insulation Class : A, E, B, F, H
 Motor Diameter : Ø80mm[3.15inch]&Ø85mm[3.46inch]
 Typical Application : Juice Extractor, Stand Mixer, Pasta Maker, Food Processor

Performance Curve



Dimension (mm[inch])



Performance (testing under room temperature)

Model	Dim A mm[inch]	Dim B mm[inch]	Dim S mm[inch]	Rated Voltage (V DC)	No Load		At Maximum Efficiency				Maximum Power			
					Speed (rpm)	Current (A)	Speed (rpm)	Current (A)	Torque (kg-cm[lb-in])	Output (W)	Speed (rpm)	Current (A)	Torque (kg-cm[lb-in])	Output (W)
DD-20	100[3.94]	80[3.15]	8[0.31]	230	11,250	0.36	8,550	1.5	2.20[1.91]	193.2	3,930	7.0	12.3[10.7]	496
DD-25	103[4.06]	80[3.15]	8[0.31]	230	10,950	0.44	8,850	1.3	2.20[1.91]	200	3,750	7.6	15.0[13.0]	577.7
DD-30	111[4.37]	80[3.15]	8[0.31]	120	8,340	0.50	6,580	2.75	3.10[2.70]	209.5	4,170	5.8	7.3[6.3]	315
DD-50	125[4.92]	85[3.46]	10[0.39]	120	3,120	0.09	2,820	1.0	3.93[3.41]	116	1,550	5.7	23.6[20.5]	375.6

The information above is for reference only, detailed specification is subject to final confirmation

Email: sales@cclmotors.com Website: <http://www.cclmotors.com>
 4/F, No. 6, On Lok Mun Street, On Lok Tsuen, Fanling, N.T., Hong Kong.

Tel: (852) 3125 0000 Fax: (852) 3125 0125