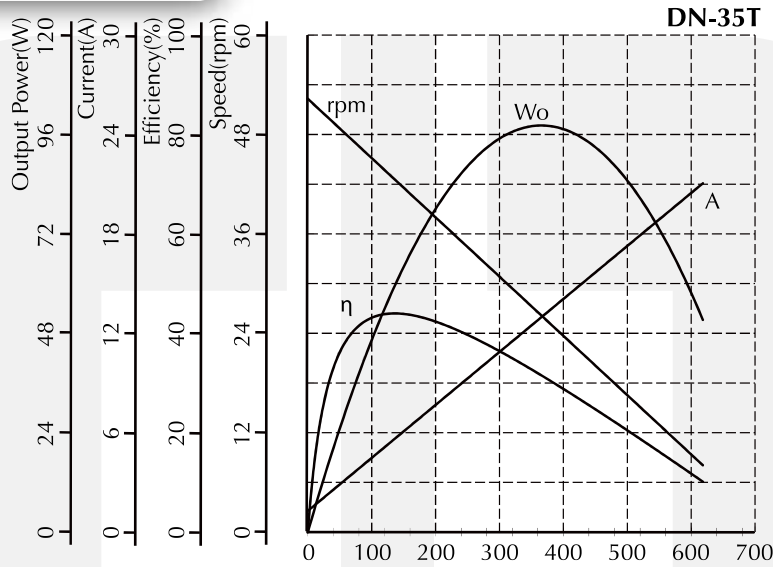




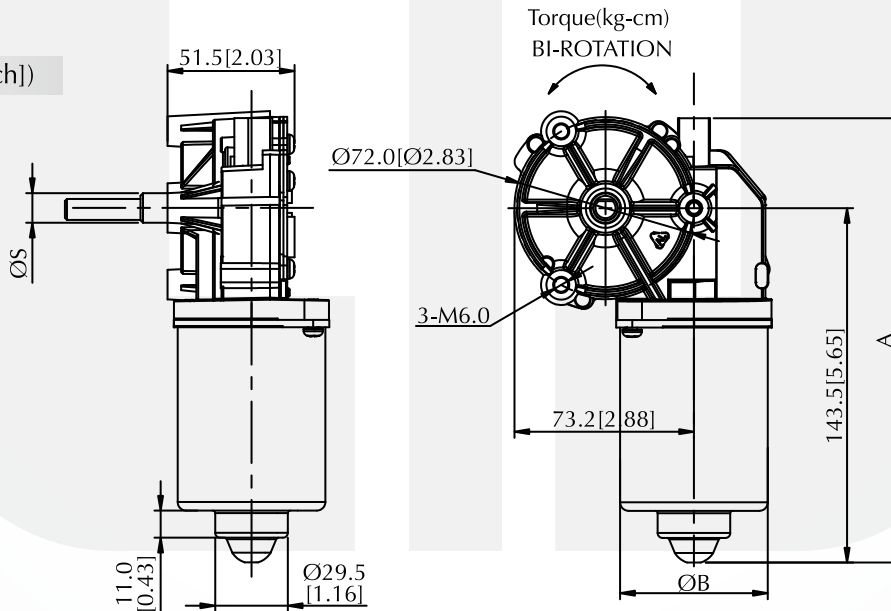
Gear Motor – Low Voltage-DN Series

Voltage : 12 - 36V DC
 Rated Speed : 13 - 150rpm
 Roted Input Power : 5 - 60W
 Gear Ratio : 63:1, 69:1
 Rated Torque : 50kg-cm[43.4lb-in]
 Motor Diameter : Ø60mm[2.36inch]
 Typical Application : Medical Bed, Food Waste Disposer, Garage Door Opener

Performance Curve



Dimension (mm[inch])



Performance (testing under room temperature)

Model	Dim A mm[inch]	Dim B mm[inch]	Dim S mm[inch]	Gear Ratio	Rated Voltage (V DC)	No Load		At Maximum Efficiency				Maximum Power		
						Speed (rpm)	Current (A)	Torque (kg-cm[lb-in])	Speed (rpm)	Current (A)	Output (W)	Effic'y (%)	Torque (kg-cm[lb-in])	Current (A)
DN-35T	177.5[6.99]	60.0[2.36]	10.0[0.39]	63:1	24	52	1.3	130[112.84]	43	5.44	57.04	44.0	365[316.82]	13.0
DN-28T	163.4[6.43]	60.0[2.36]	10.0[0.39]	69:1	24	65.5/24	1.3/0.3	100.3[87.06] 50[43.4]	50.5/20	5.3/1.3	52/11	40.5/35	250[217] 150[130.2]	12.0/3.0

The information above is for reference only, detailed specification is subject to final confirmation