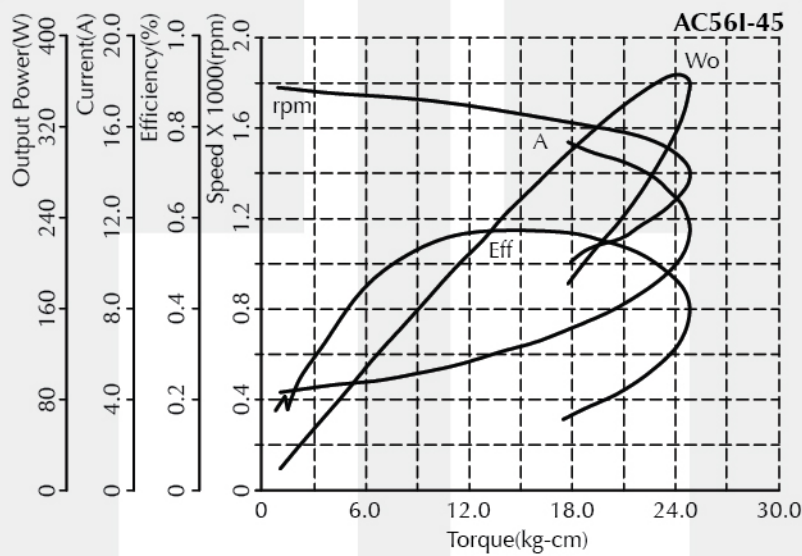


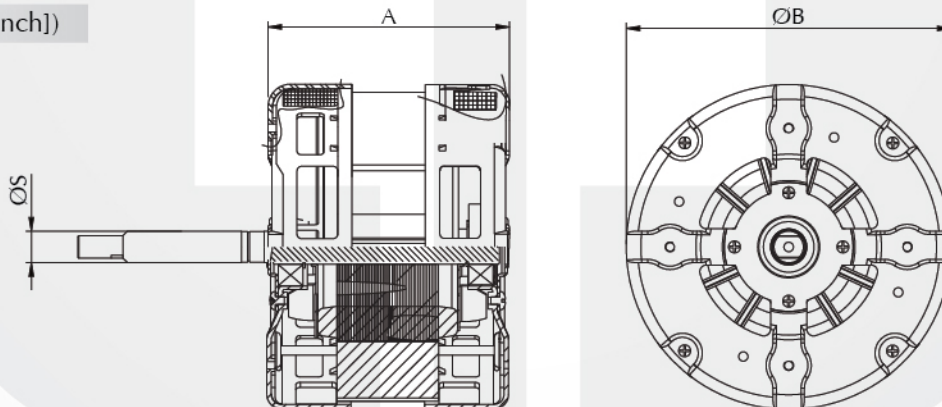
## Induction Motor - AC56I Series

Voltage : 100 - 240V AC (50/60Hz)  
 Rated Speed : 1,400 - 1700rpm (4pole), 900 - 1,000rpm (6pole)  
 Insulation Class : A, E, B, F  
 Motor Diameter :  $\varnothing$ 143.8mm[5.66inch]  
 Typical Application : Food Processor

### Performance Curve



### Dimension (mm[inch])



### Performance (testing under room temperature)

| Model           | Dim A<br>mm[inch] | Dim B<br>mm[inch] | Dim S<br>mm[inch] | 4 Pole                   |                           |                                       | 6 Pole                   |                           |                                       |
|-----------------|-------------------|-------------------|-------------------|--------------------------|---------------------------|---------------------------------------|--------------------------|---------------------------|---------------------------------------|
|                 |                   |                   |                   | Rated Input<br>Power (W) | Rated Output<br>Power (W) | Breakdown<br>Torque<br>(kg-cm[lb-in]) | Rated Input<br>Power (W) | Rated Output<br>Power (W) | Breakdown<br>Torque<br>(kg-cm[lb-in]) |
| <b>AC56I-45</b> | 107 [4.21]        | 143.8 [5.66]      | 14.0 [0.55]       | 450                      | 260                       | 25.0 [21.74]                          | 550                      | 275                       | 45.0 [39.13]                          |

The information above is for reference only, detailed specification is subject to final confirmation