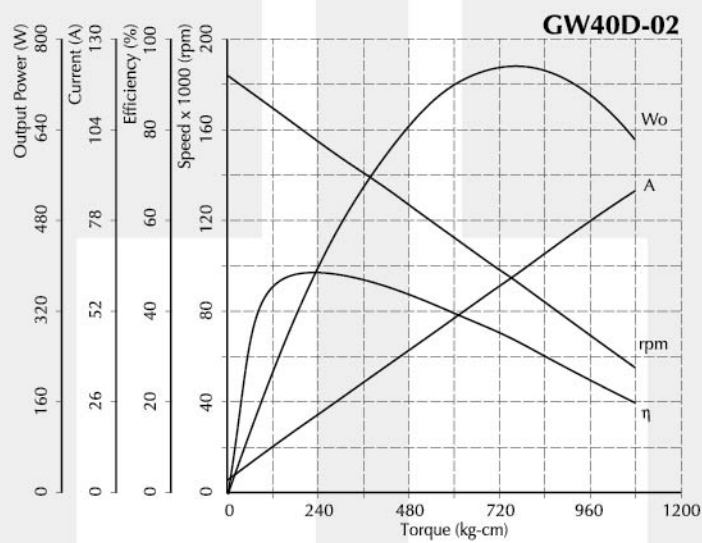




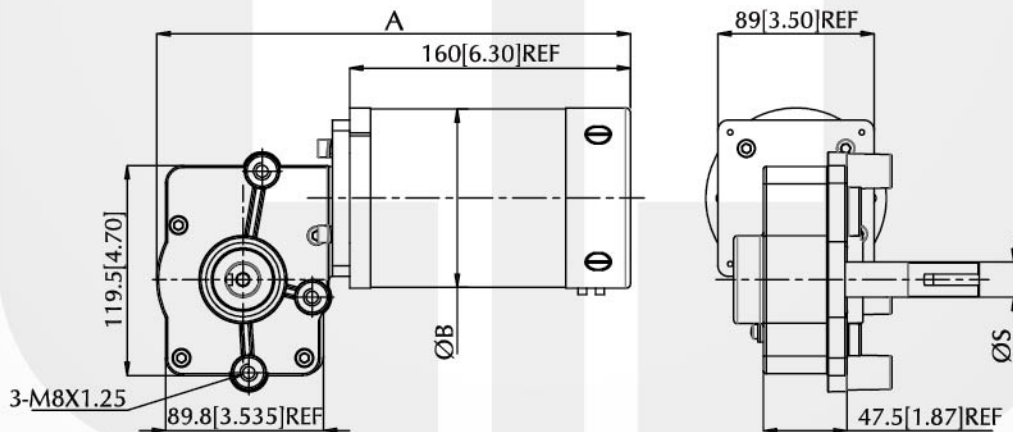
Gearmotor - GW40D-02 Series

Voltage : 12 - 36V DC
 Rated Speed : 100 - 200rpm
 Rated Output Power: 150 - 500W
 Gear Ratio : 21.5 : 1
 Rated Torque : 279.8kg-cm[247.89lb-in]
 Motor Diameter : Ø102mm[4.0inch]
 Typical Application : Polisher, Hospital Bed

Performance Curve



Dimension (mm[inch])



Performance (testing under room temperature)

Model	Dim A mm[inch]	Dim B mm[inch]	Dim S mm[inch]	Gear Ratio	Rated Voltage (V DC)	No Load		At Maximum Efficiency				Max Power		
						Speed (rpm)	Current (A)	Torque (kg-cm[lb-in])	Speed (rpm)	Current (A)	Output (W)	Effc'y (%)	Torque (kg-cm[lb-in])	Current (A)
GW40D-02	269.8[10.62]	102.0[4.0]	20[0.79]	21.5:1	36	171	4.0	279.8[247.89]	145.4	23.0	417.7	51.2	932.1[809.7]	85.5

The information above is for reference only, detailed specification is subject to final confirmation

Email: sales@cclmotors.com Website: <http://www.cclmotors.com>
4/F, No. 6, On Lok Mun Street, On Lok Tsuen, Fanling, N.T., Hong Kong.

Tel: (852) 3125 0000 Fax: (852) 3125 0125