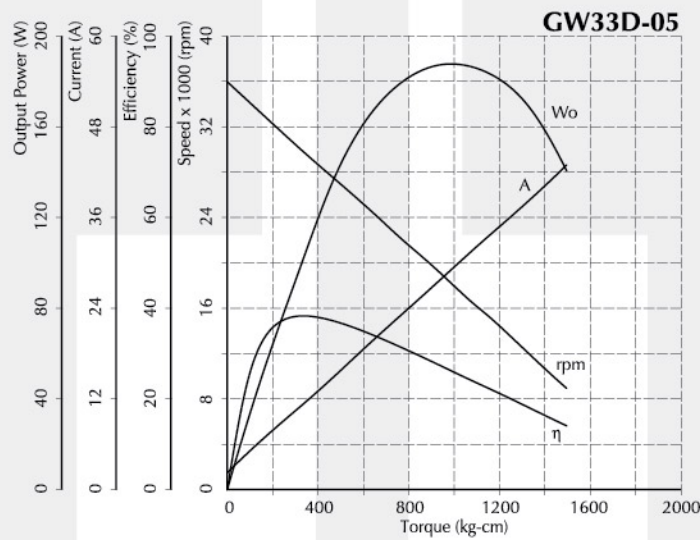




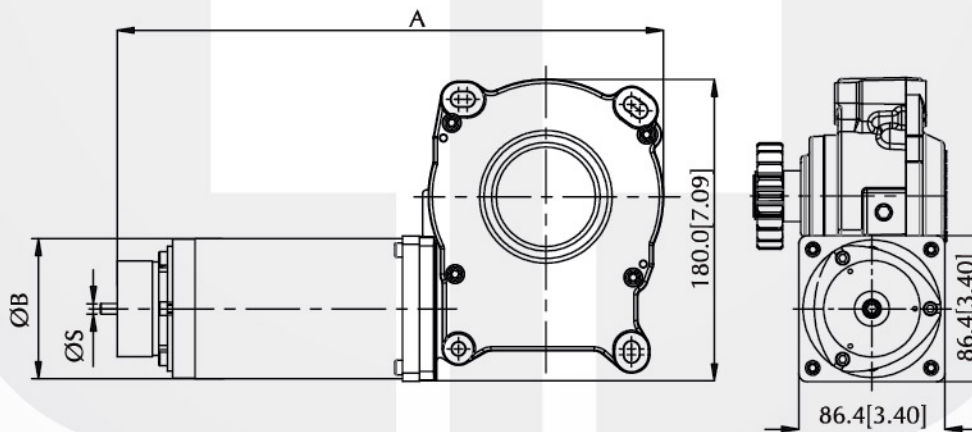
Gearmotor - GW33D-05 Series

Voltage : 12 - 60V DC
 Rated Speed : 21 - 240rpm
 Rated Output Power: 100 - 350W
 Gear Ratio : 25 : 1, 60 : 1
 Rated Torque : 122.4-315.0kg-cm[106.5-273.0lb-in]
 Motor Diameter : Ø83.8mm[3.3inch]
 Typical Application : Stair Lift

Performance Curve



Dimension (mm[inch])



Performance (testing under room temperature)

Model	Dim A mm[inch]	Dim B mm[inch]	Dim S mm[inch]	Gear Ratio	Rated Voltage (V DC)	No Load		At Maximum Efficiency				Max Power		
						Speed (rpm)	Current (A)	Torque (kg-cm[lb-in])	Speed (rpm)	Current (A)	Output (W)	Effic'y (%)	Torque (kg-cm[lb-in])	Current (A)
GW33D-05-01	325.0[12.80]	83.8[3.3]	7.0[0.28]	25:1	48	271	3.4	122.4[106.5]	240	23.0	310.0	28	540.4[470.1]	89
GW33D-05-02	325.0[12.80]	83.8[3.3]	7.0[0.28]	60:1	24	40	2.5	315.0[273.0]	31.0	9.6	124.0	54	927.3[804.8]	19.8

The information above is for reference only, detailed specification is subject to final confirmation

Email: sales@cclmotors.com Website: <http://www.cclmotors.com>
4/F, No. 6, On Lok Mun Street, On Lok Tsuen, Fanling, N.T., Hong Kong.

Tel: (852) 3125 0000 Fax: (852) 3125 0125