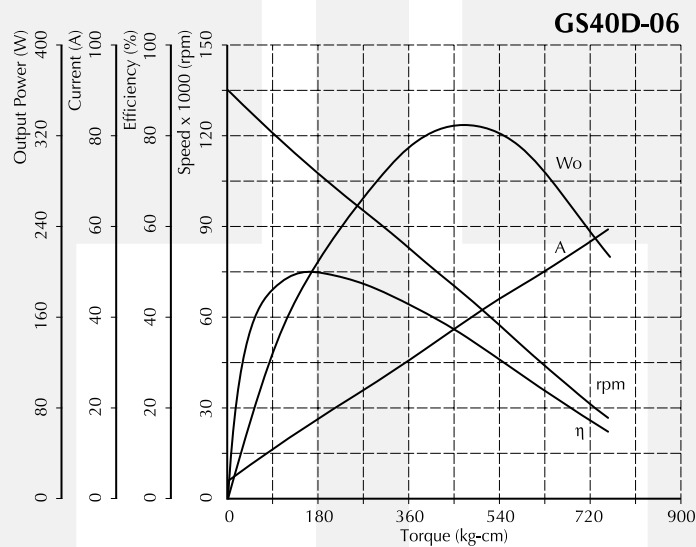




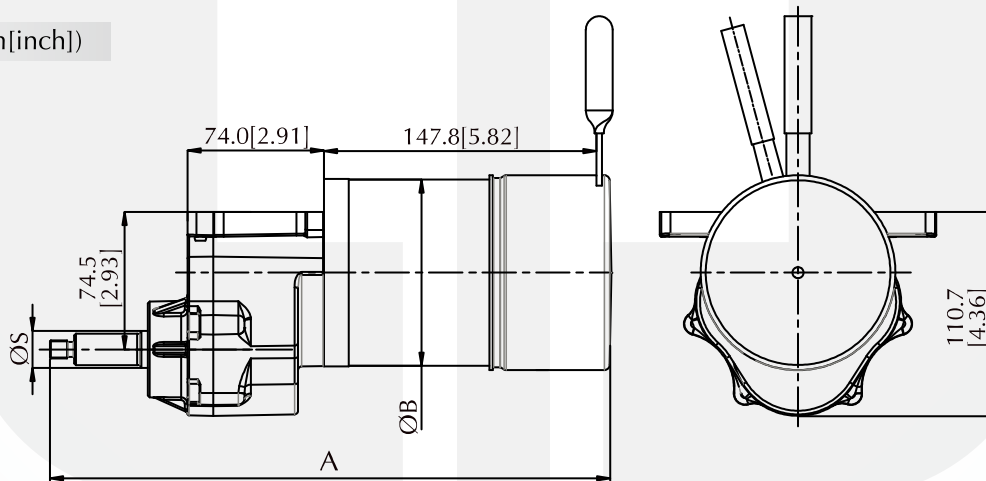
Gearmotor - GS40D-06 Series

Voltage : 12 - 36V DC
 Rated Speed : 123 - 135rpm
 Rated Output Power: 150 - 400W
 Gear Ratio : 26 : 1
 Rated Torque : 48 - 85 kg-cm[41.7-73.8lb-in]
 Motor Diameter : Ø102mm[4.0inch]
 Typical Application : Electric Wheelchair

Performance Curve



Dimension (mm[inch])



Performance (testing under room temperature)

Model	Dim A mm [inch]	Dim B mm [inch]	Dim S mm [inch]	Gear Ratio	Rated Voltage (V DC)	No Load		At Maximum Efficiency				Max Power		
						Speed (rpm)	Current (A)	Torque kg-cm [lb-in]	Speed (rpm)	Current (A)	Output (W)	Effc'y (%)	Torque kg-cm [lb-in]	Current (A)
GS40D-06	306.3 [12.06]	102.0 [4.0]	20 [0.79]	26:1	24	135	4.5	182 [158.0]	109	18.4	204	49.3	478 [414.9]	41

The information above is for reference only, detailed specification is subject to final confirmation

Email: sales@cclmotors.com Website: <http://www.cclmotors.com>
5/F, No. 6, On Lok Mun Street, On Lok Tsuen, Fanling, N.T., Hong Kong.

Tel: (852) 3125 0000 Fax: (852) 3125 0125