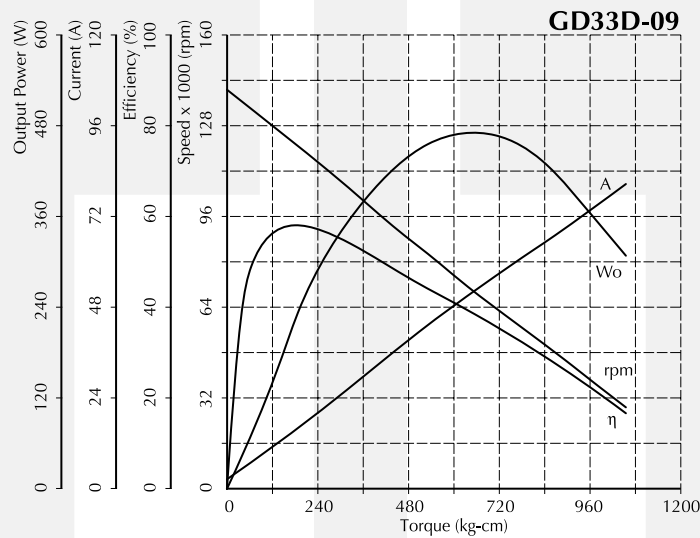




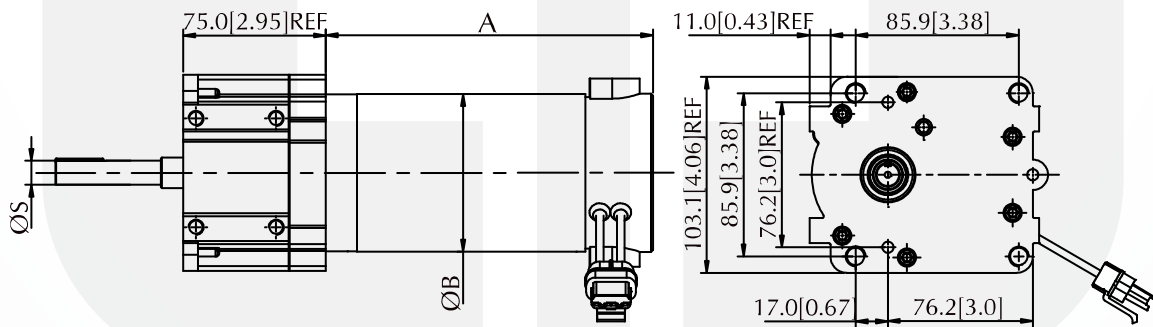
Gearmotor - GD33D-09 Series

Voltage : 12 - 36V DC
 Rated Speed : 100 - 200rpm
 Rated Output Power: 215 - 350W
 Gear Ratio : 9.7 : 1, 16 : 1
 Rated Torque : 59.5 - 138.4kg-cm[60.8 - 120.2lb-in]
 Motor Diameter : Ø83.8mm[3.3inch]
 Typical Application : Floor Polisher, Water Pump

Performance Curve



Dimension (mm[inch])



Performance (testing under room temperature)

Model	Dim A mm [inch]	Dim B mm [inch]	Dim S mm [inch]	Gear Ratio	Rated Voltage (V DC)	No Load		At Maximum Efficiency				Max Power		
						Speed (rpm)	Current (A)	Torque kg-cm [lb-in]	Speed (rpm)	Current (A)	Output (W)	Effic'y (%)	Torque kg-cm [lb-in]	Current (A)
GD33D-09-01	171.5 [6.75]	83.8 [3.3]	12.7 [0.5]	16:1	24	141	2.8	148.8 [129.2]	117	14.1	178.8	53	437.6 [379.8]	36.1
GD33D-09-02	122.3 [4.81]	83.8 [3.3]	12.0 [0.472]	9.7:1	24	350	3.65	59.5 [60.8]	290	12.4	177.5	59.6	175.0 [151.9]	31.7

The information above is for reference only, detailed specification is subject to final confirmation