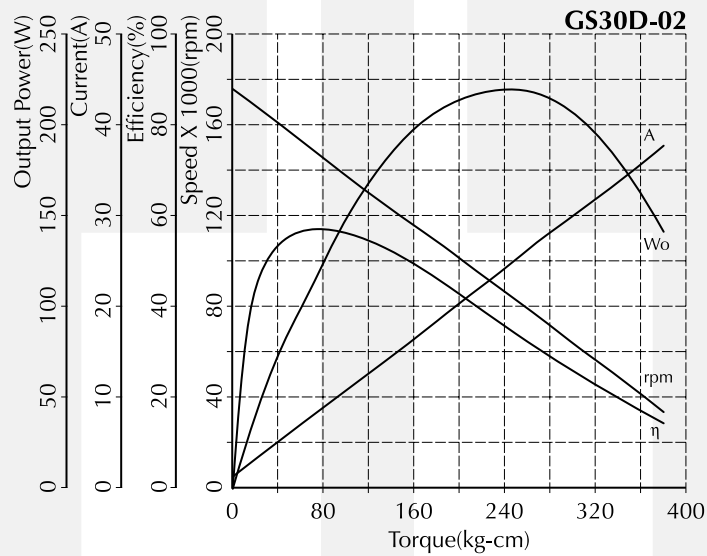




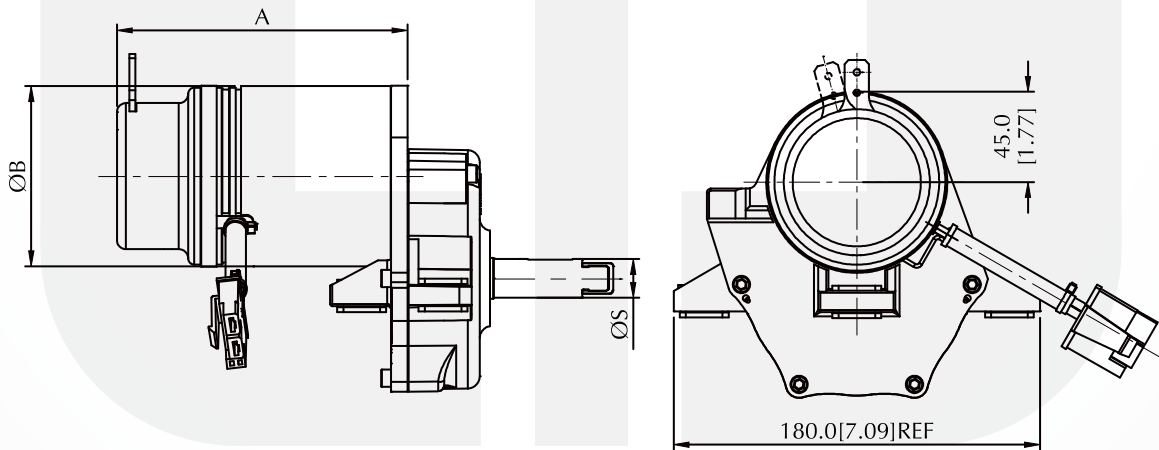
Gearmotor – GS30/35D-02 Series

Voltage	: 12 - 36V DC
Rated Speed	: 150 - 250rpm
Rated Output Power	: 100 - 300W
Gear Ratio	: 17.75 : 1
Rated Torque	: 50kg-cm[43.40lb-in]
Motor Diameter	: Ø63.5/88.9mm[2.5/3.5inch]
Typical Application	: Electric Wheelchair
Feature	: Optional break

Performance Curve



Dimension (mm[inch])



Performance (testing under room temperature)

Model	Dim A mm[inch]	Dim B mm[inch]	Dim S mm[inch]	Gear Ratio	Rated Voltage (V DC)	No Load		At Maximum Efficiency				Max Power		
						Speed (rpm)	Current (A)	Torque (kg-cm[lb-in])	Speed (rpm)	Current (A)	Output (W)	Effc'y (%)	Torque (kg-cm[lb-in])	Current (A)
GS30D-02	142.8[5.62]	76.2[3.0]	20.2[0.80]	17.75:1	24	166.5	3.0	141.5[122.8]	138.2	14.3	200.8	58	416.3[361.3]	36.3
GS35D-02	142.8[5.62]	89.0[3.5]	20.2[0.80]	17.75:1	24	202	3.5	127.9[110.0]	163.6	14.69	215.0	61	336.7[292.2]	32.92

The information above is for reference only, detailed specification is subject to final confirmation