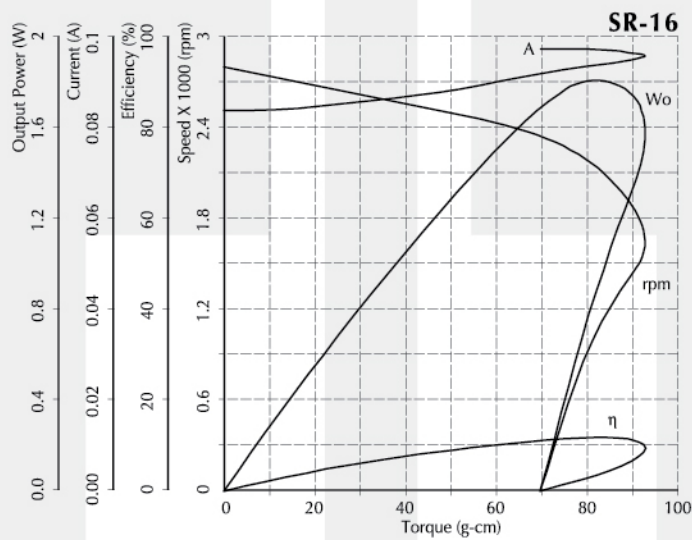




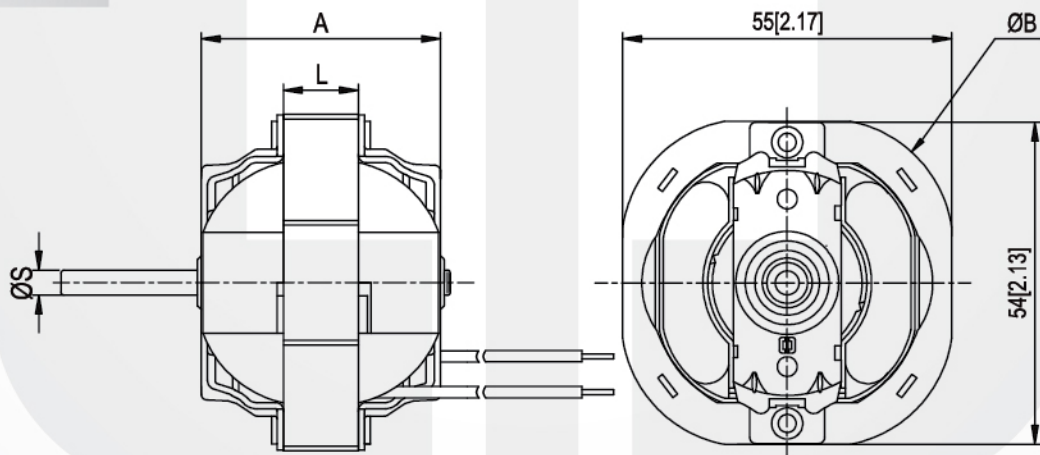
## Shaded Pole Motor - SR Series

Voltage : 100 - 240V AC (50/60Hz)  
 Rated Speed : 3,400rpm max  
 Rated Output Power: 0.5 - 8.5W  
 Insulation Class : A, E, B  
 Motor Diameter : Ø58mm[2.28inch]  
 Typical Application : Oven, Air Freshener, Foot Massager, Ventilator

### Performance Curve



### Dimension (mm[inch])



### Performance (testing under room temperature)

Model	Dim A mm[inch]	Dim B mm[inch]	Dim L mm[inch]	Dim S mm[inch]	Rated Torque (g-cm[lb-in])	Rated Input Power (W)	Rated Output Power (W)
SR-10	36 [1.42]	58 [2.28]	10 [0.39]	4.0 [0.16]	45 - 80 [0.039 - 0.069]	7 - 16	0.5 - 2.0
SR-12	38 [1.50]	58 [2.28]	12 [0.47]	4.0 [0.16]	60 - 100 [0.052 - 0.087]	8 - 18	1.4 - 2.4
SR-16	42 [1.65]	58 [2.28]	16 [0.63]	4.0 [0.16]	80 - 160 [0.069 - 0.139]	15 - 26	2.0 - 3.8
SR-20	46 [1.81]	58 [2.28]	20 [0.79]	4.0 [0.16]	120 - 330 [0.104 - 0.286]	18 - 33	3.1 - 5.7
SR-30	56 [2.20]	58 [2.28]	30 [1.18]	4.0 [0.16]	190 - 340 [0.165 - 0.295]	25 - 47	4.5 - 8.5

The information above is for reference only, detailed specification is subject to final confirmation

Email: [sales@cclmotors.com](mailto:sales@cclmotors.com) Website: <http://www.cclmotors.com>  
 4/F, No. 6, On Lok Mun Street, On Lok Tsuen, Fanling, N.T., Hong Kong.

Tel: (852) 3125 0000 Fax: (852) 3125 0125