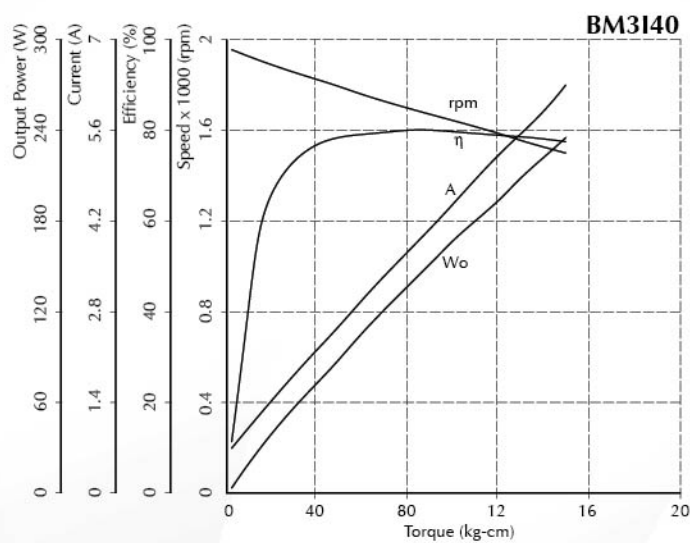




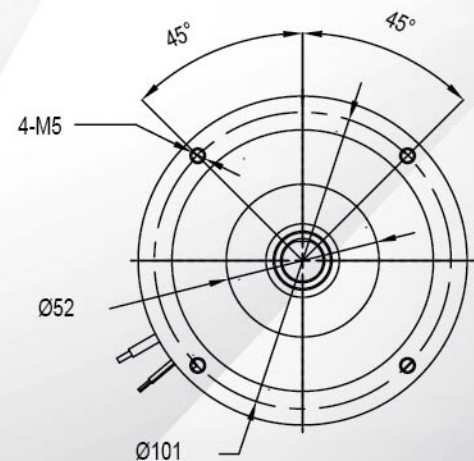
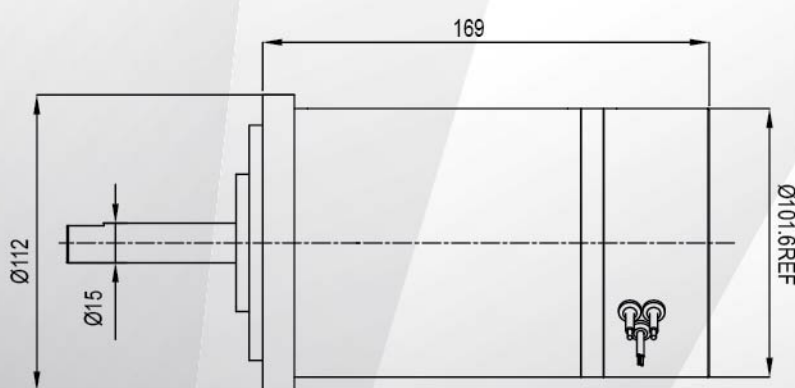
Brushless Motor - BM3140 Series

Voltage : 12 - 48V DC
 Rated Speed : 1372 - 3160rpm
 Rated Output : 104.6 - 204.4W
 Insulation Class : B
 Typical Applications : Air Pump, Water Pump, Hydraulic Pump

Performance Curve



Dimension (mm)



Performance (testing under room temperature)

Model	Rated Voltage/ VDC	Rated Speed/ rpm	Rated Current/ A	Rated Output Power/ W
BM3140	12-48	1372-3160	2.5-4.5	100-200

The information above is for reference only, detailed specification is subject to final confirmation