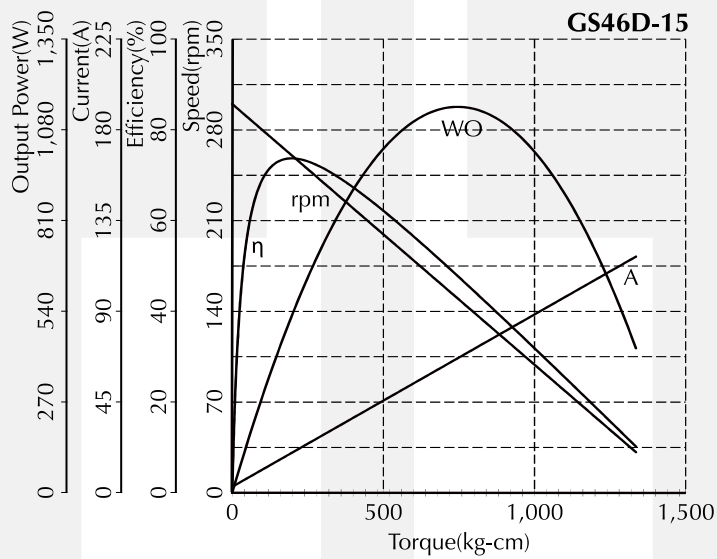




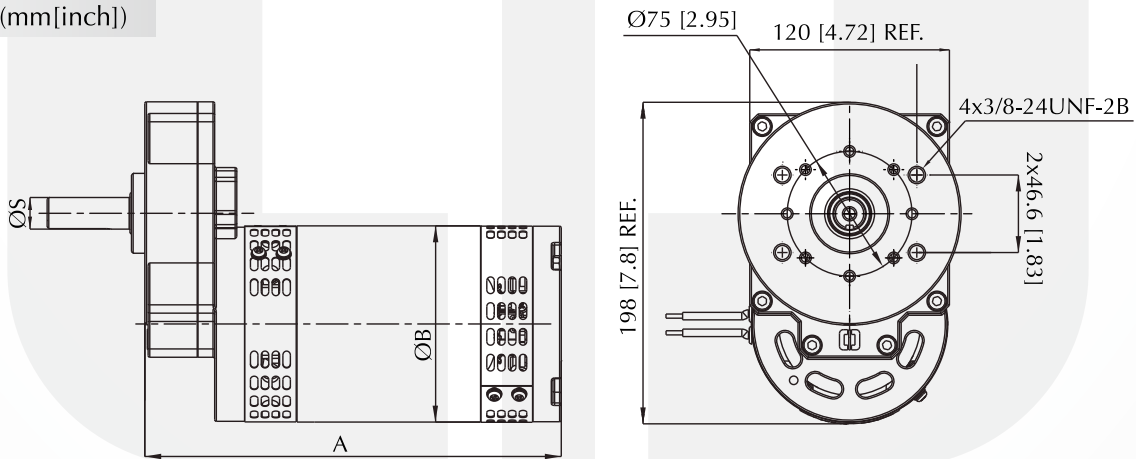
Gearmotor – GS46D-15 Series

Voltage : 24 - 36V DC
 Rated Speed : 130 - 290 rpm
 Rated Output Power: 200 - 550W
 Gear Ratio : 10.1:1
 Rated Torque : 140 - 200kg-cm[121.5 - 173.6 lb-in]
 Motor Diameter : Ø117.9mm[4.6inch]
 Typical Application : Floor Scrubber

Performance Curve



Dimension (mm[inch])



Performance (testing under room temperature)

Model	Dim A mm[inch]	Dim B mm[inch]	Dim S mm[inch]	Gear Ratio	Rated Voltage (V DC)	No Load		At Maximum Efficiency				Max Power		
						Speed (rpm)	Current (A)	Torque (kg-cm[lb-in])	Speed (rpm)	Current (A)	Output (W)	Effic'y (%)	Torque (kg-cm[lb-in])	Current (A)
GS46D-15-01	171 [6.73]	117.9[4.6]	17.0[0.67]	10:1:1	24	190	3.0	105.7[91.8]	156	13.6	169.1	51.7	293.7[254.9]	32.6
GS46D-15-02	250.3 [9.85]	117.9[4.6]	19.0[0.75]	10:1:1	36	300	3.0	193.7[168.2]	261	19.6	519.6	73.7	745.4[647]	66.8

The information above is for reference only, detailed specification is subject to final confirmation