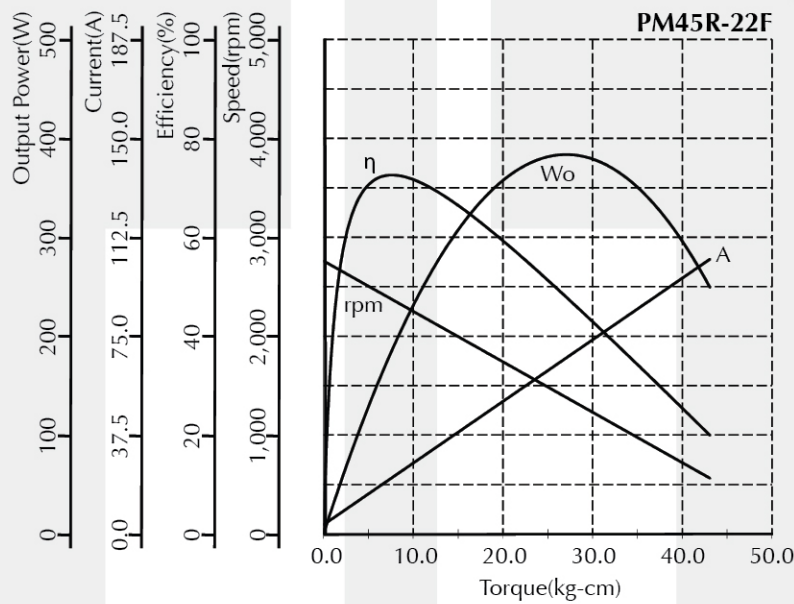




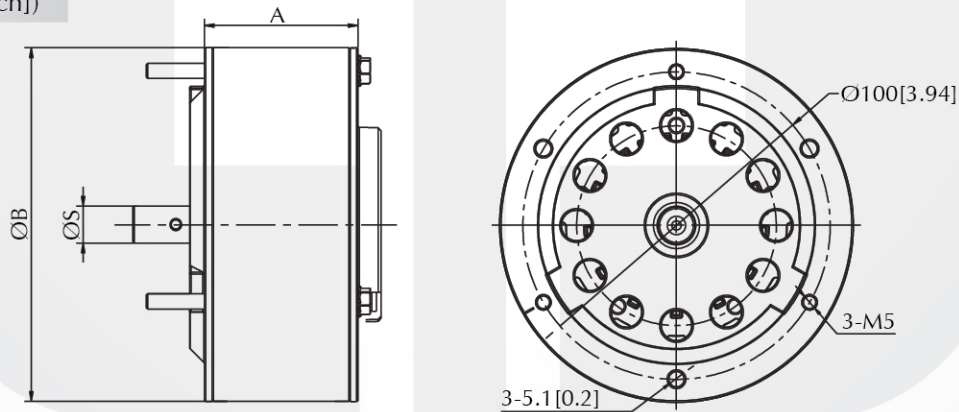
## Industrial PMDC Motor - PM45R Series

Voltage : 12 - 24V DC  
 Rated Speed : 2,100 - 3,000rpm  
 Rated Torque : 5kg - cm[4.38lb-in]  
 Rated Input Power : 170 - 200W  
 Insulation Class : A  
 Motor Diameter : Ø115mm[4.5inch]  
 Typical Application : Wheel Chair

### Performance Curve



### Dimension (mm[inch])



### Performance (testing under room temperature)

Model	Dim A mm[inch]	Dim B mm[inch]	Dim S mm[inch]	Rated Voltage (V DC)	No Load		At Maximum Efficiency				Maximum Power			
					Speed (rpm)	Current (A)	Speed (rpm)	Current (A)	Torque (kg-cm)[lb-in]	Output (W)	Speed (rpm)	Current (A)	Torque (kg-cm)[lb-in]	Output (W)
PM45R-22F	50[1.97]	115[4.52]	12.0[0.47]	12	2,760	3.5	2,340	20.0	7.06[6.13]	170	1,380	57.0	23.30[20.22]	330
PM45R-22T	42.5[1.67]	115[4.52]	12.0[0.47]	24	2,800	2.1	1,790	22.9	8.16[7.08]	150	1,400	31	25.5[22.12]	360

The information above is for reference only, detailed specification is subject to final confirmation

Email: sales@cclmotors.com Website: <http://www.cclmotors.com>  
 4/F, No. 6, On Lok Mun Street, On Lok Tsuen, Fanling, N.T., Hong Kong.

Tel: (852) 3125 0000 Fax: (852) 3125 0125