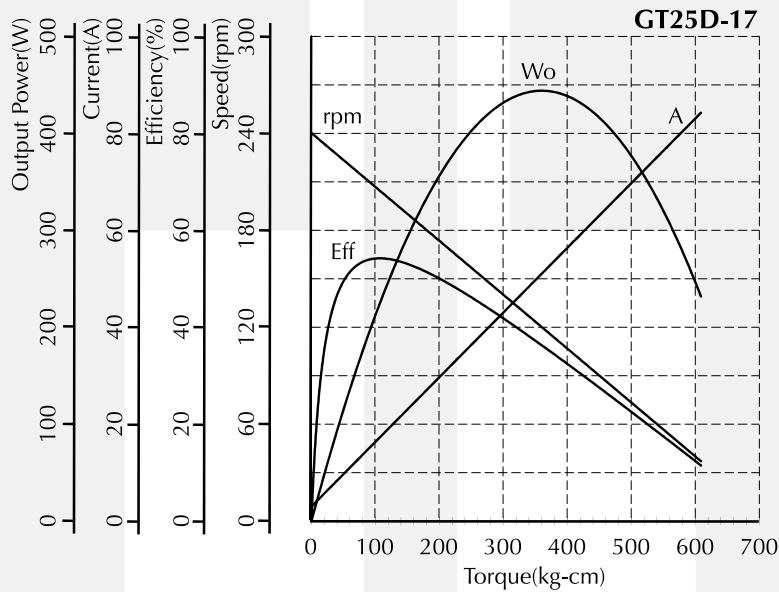




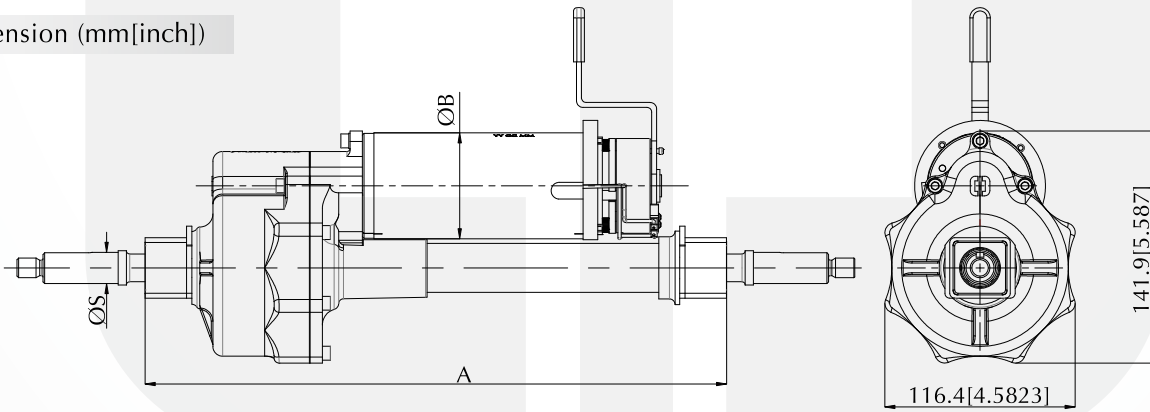
Transaxle - GT25D-17 Series

Voltage : 12 - 24V DC
 Rated Speed : 150 - 230rpm
 Rated Output Power: 100 - 300W
 Gear Ratio : 17.75 : 1
 Rated Torque : 82.1-113.4kg-cm[71.26-98.43lb-in]
 Loading Capability : 315.0kg-cm[273.41lb-in]
 Motor Diameter : Ø64.9mm[2.56inch]
 Typical Application : Scooter, Polisher
 Feature : Optional Break

Performance Curve



Dimension (mm[inch])



Performance (testing under room temperature)

Model	Dim A mm [inch]	Dim B mm [inch]	Dim S mm [inch]	Gear Ratio	Rated Voltage (V DC)	No Load		At Maximum Efficiency				Max Power		
						Speed (rpm)	Current (A)	Torque kg-cm [lb-in]	Speed (rpm)	Current (A)	Output (W)	Effc'y (%)	Torque kg-cm [lb-in]	Current (A)
GT25D-17-01	355.8 [14.0]	64.9 [2.56]	17.0 [0.67]	17.75:1	24	240	3.0	108 [93.8]	204	17.4	226.3	54.2	360.0 [312.5]	51.0
GT25D-17-02	335.8 [13.2]	64.9 [2.56]	19.0 [0.748]	17.75:1	24	210	2.5	101.7 [88.3]	176	13.2	184.0	57.9	315 [273.4]	35.8

The information above is for reference only, detailed specification is subject to final confirmation

Email: sales@cclmotors.com Website: <http://www.cclmotors.com>
5/F, No. 6, On Lok Mun Street, On Lok Tsuen, Fanling, N.T., Hong Kong.

Tel: (852) 3125 0000 Fax: (852) 3125 0125