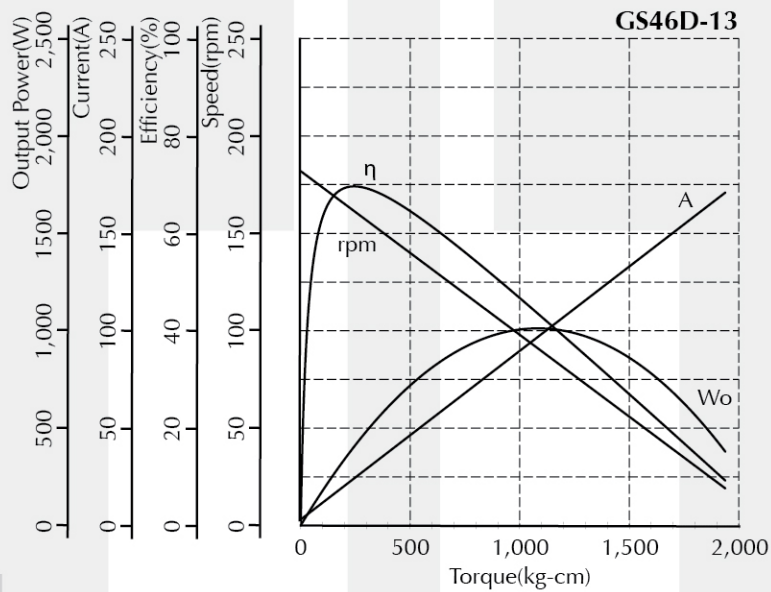




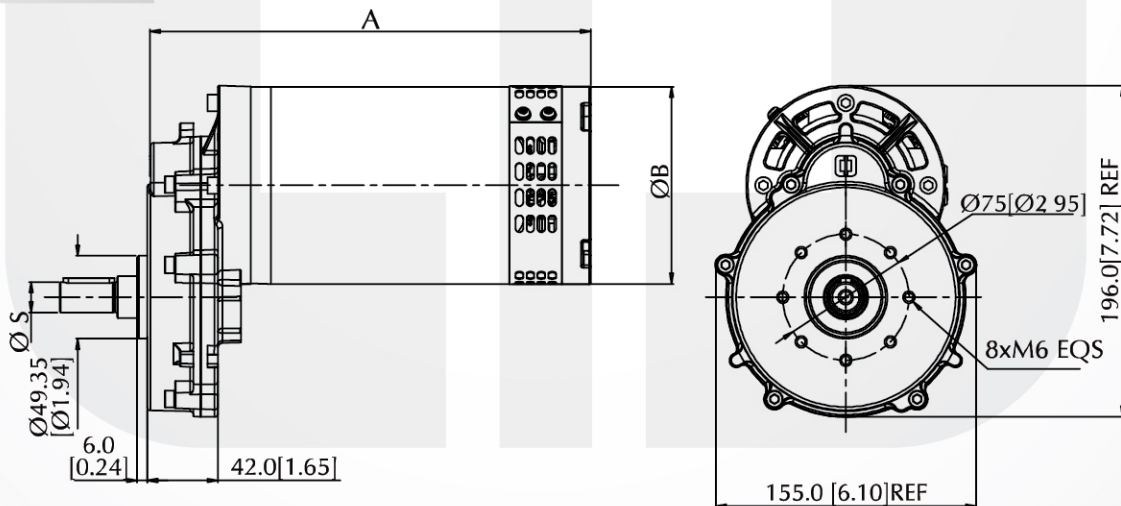
Gearmotor – GS46D-13 Series

Voltage : 12 - 72V DC
 Rated Speed : 150 - 250rpm
 Rated Output Power: 100 - 550W
 Gear Ratio : 10.1:1
 Rated Torque : 194.90 - 237.58kg-cm[169.16 - 206.21lb-in]
 Motor Diameter : Ø117.9mm[4.6inch]
 Typical Application : Cleaning Cart (Road Brush)

Performance Curve



Dimension (mm[inch])



Performance (testing under room temperature)

Model	Dim A mm[inch]	Dim B mm[inch]	Dim S mm[inch]	Gear Ratio	Rated Voltage (V DC)	No Load		At Maximum Efficiency				Max Power		
						Speed (rpm)	Current (A)	Torque (kg-cm[lb-in])	Speed (rpm)	Current (A)	Output (W)	Effic'y (%)	Torque (kg-cm[lb-in])	Current (A)
GS46D-13T-0001	263.8[10.38]	117.9[4.6]	18.0[0.709]	10.1:1	24	190	3.0	194.7[169.0]	168	19.4	336	72.2	847.3[735.4]	76.1
GS46D-13T-0002	263.8[10.38]	117.9[4.6]	18.0[0.709]	10.1:1	24	190	4.0	237.58[206.21]	163	23.6	398.2	70.3	847.3[735.4]	74.1

The information above is for reference only, detailed specification is subject to final confirmation