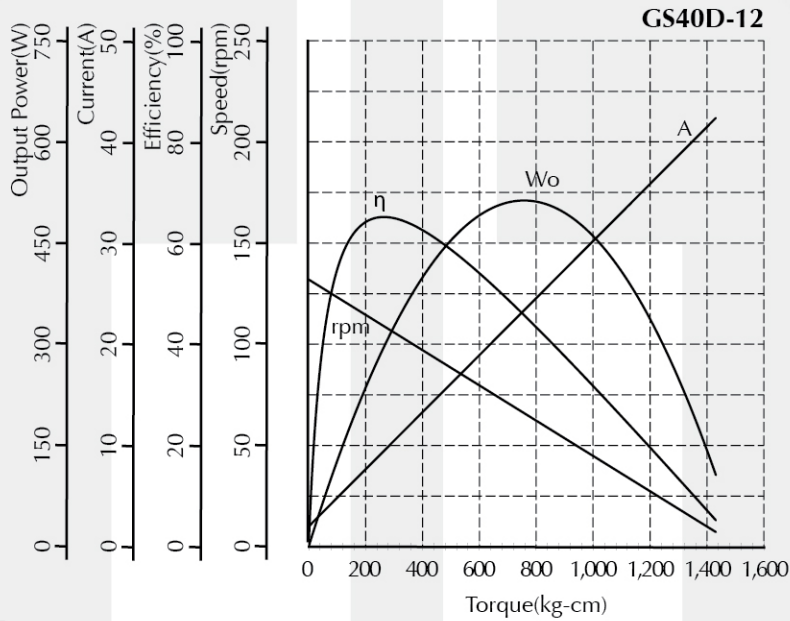


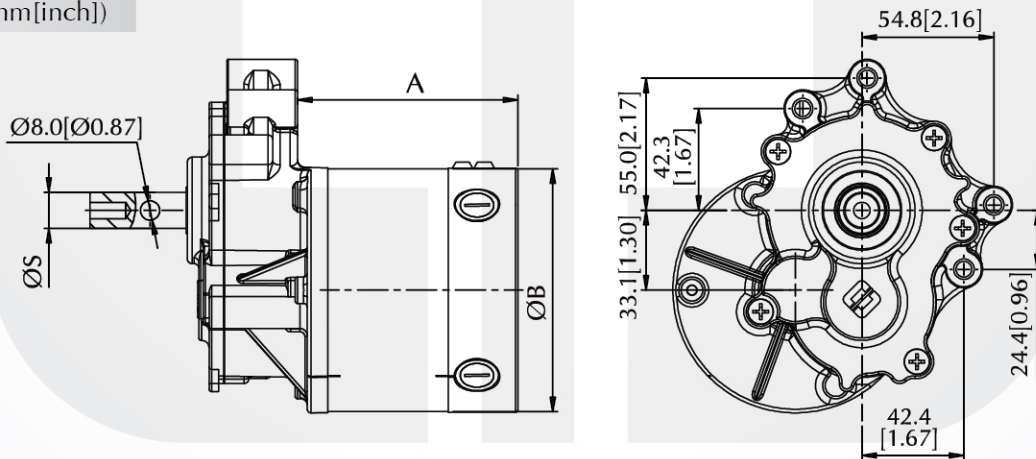
Gearmotor – GS40D-12 Series

Voltage : 12 - 72V DC
 Rated Speed : 85 - 220rpm
 Rated Output Power: 100 - 300W
 Gear Ratio : 24.4 : 1
 Rated Torque : 240 - 265kg-cm[208.31 - 230.01b-in]
 Motor Diameter : $\varnothing 101.6\text{mm}[4.0\text{inch}]$
 Typical Application : Cleaning Cart (Road Brush)

Performance Curve



Dimension (mm[inch])



Performance (testing under room temperature)

Model	Dim A mm[inch]	Dim B mm[inch]	Dim S mm[inch]	Gear Ratio	Rated Voltage (V DC)	No Load		At Maximum Efficiency				Max Power		
						Speed (rpm)	Current (A)	Torque (kg-cm[lb-in])	Speed (rpm)	Current (A)	Output (W)	Effic'y (%)	Torque (kg-cm[lb-in])	Current (A)
GS40D-12T-0001	91.5[3.60]	101.6[4.0]	15.0[0.59]	24.4:1	48	132	2.5	265[230.01]	109	9.5	296	65	757[657.05]	23.4
GS40D-12T-0002	91.5[3.60]	101.6[4.0]	15.0[0.59]	24.4:1	48	100	2.0	240[208.31]	81.5	8.8	201	47.7	650[564.17]	20.3
GS40D-12T-0004	131.55[5.18]	101.6[4.0]	15.0[0.59]	24.4:1	24	230	7.7	303[262.99]	198	42.4	615	55	1,081[938.26]	133.5

The information above is for reference only, detailed specification is subject to final confirmation