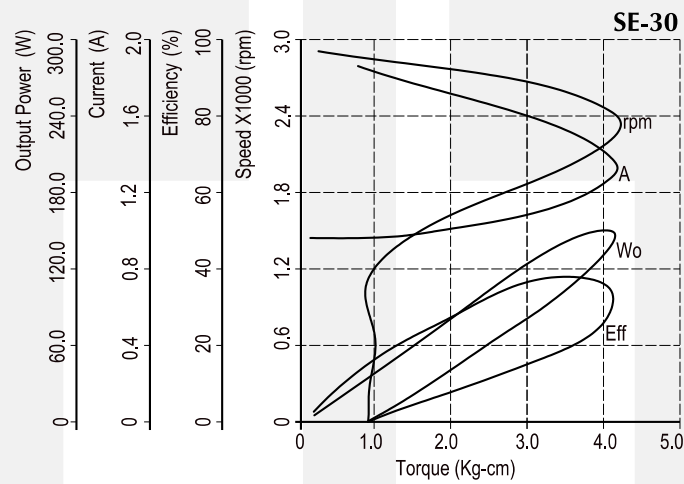


Shaded Pole Motor - SE Series (3.3", 2-pole)

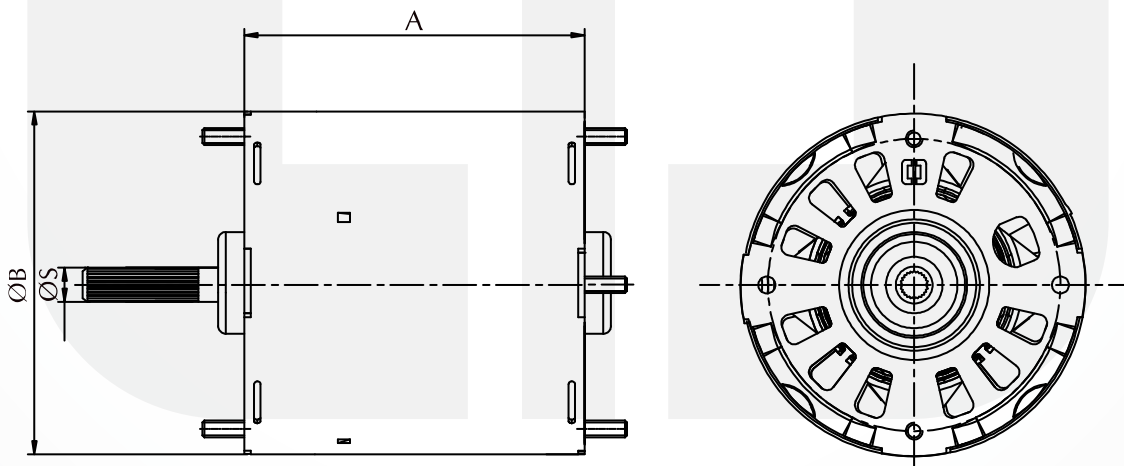
Voltage : 100 - 240V AC (50/60Hz)
 Rated Speed : 3,600rpm max
 Rated Output Power: 6 - 80W
 Insulation Class : B, F,
 Motor Diameter : Ø85mm[3.3inch]
 Typical Application : Knife Sharpener, Fan, Pump, Air Purifier

*2 - Pole Motor

Performance Curve



Dimension (mm[inch])



Performance (testing under room temperature)

Model	Dim A mm[inch]	Dim B mm[inch]	Dim S mm[inch]	Rated Torque (g-cm[lb-in])	Rated Input Power (W)	Rated Output Power (W)
SE-30	80 [3.15]	85 [3.35]	6.35 - 10 [0.25 - 0.39]	1.0 - 2.5 [0.87 - 2.17]	40 - 140	15 - 50

The information above is for reference only, detailed specification is subject to final confirmation