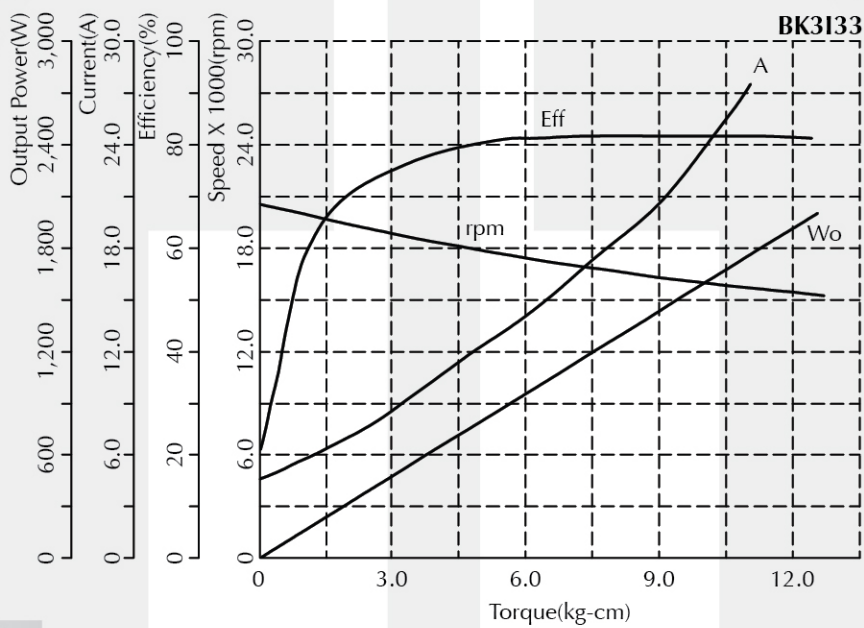


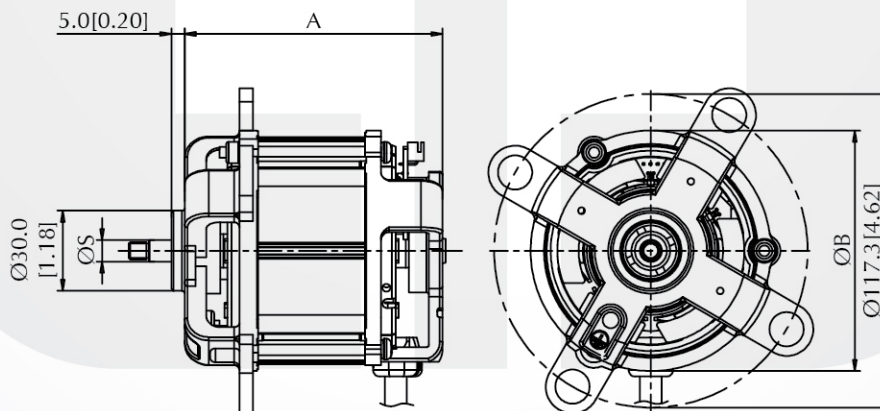
## Brushless Motor - BK3133 Series

Voltage : 120/240 V AC (50/60Hz)  
 Rated Speed : 1,000 - 23,000rpm  
 Rated Output Power: 100 - 1,200W  
 Insulation Class : B, F  
 Motor Diameter : Ø85mm[3.3inch]  
 Typical Application : High End Blender, Commercial Blender

### Performance Curve



### Dimension (mm[inch])



### Performance (testing under room temperature)

| Model            | Dim A<br>mm[inch] | Dim B<br>mm[inch] | Dim S<br>mm[inch] | Voltage<br>(V AC) | Speed<br>(rpm) | Current<br>(A) | Rated Torque<br>(kg-cm[lb-in]) | Rated Output<br>Power (W) |
|------------------|-------------------|-------------------|-------------------|-------------------|----------------|----------------|--------------------------------|---------------------------|
| <b>BK313340L</b> | 96.5[3.8]         | 85.0[3.35]        | 8.0[0.31]         | 120/240           | 13,000         | 6 / 10         | 5.14[4.46]                     | 700                       |

The information above is for reference only, detailed specification is subject to final confirmation

Email: sales@cclmotors.com Website: <http://www.cclmotors.com>  
4/F, No. 6, On Lok Mun Street, On Lok Tsuen, Fanling, N.T., Hong Kong.

Tel: (852) 3125 0000 Fax: (852) 3125 0125