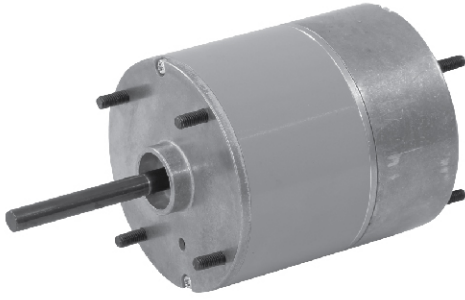
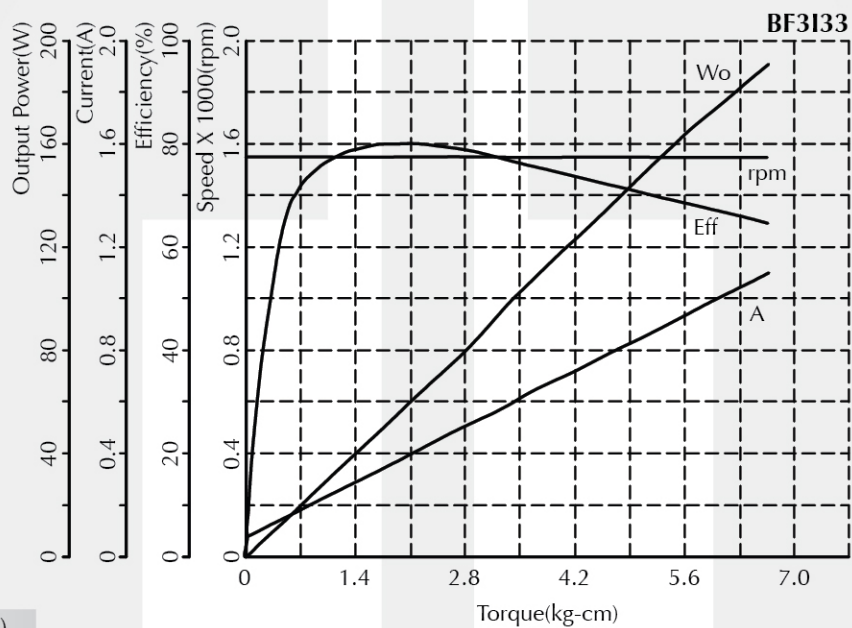


Brushless Motor - BF3133 Series

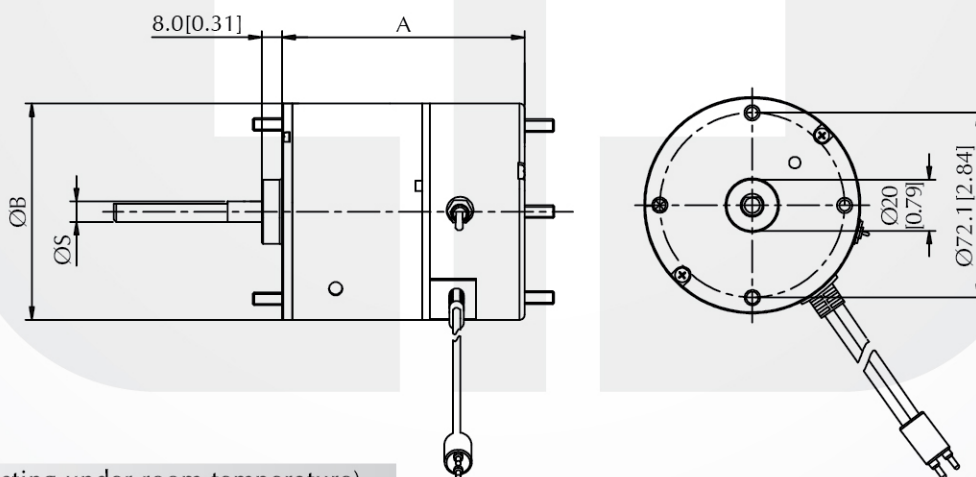


Voltage : 115/230V AC (50/60Hz)
 Rated Speed : 1,550rpm
 Rated Output Power: 10 - 70W
 Insulation Class : B
 Motor Diameter : Ø84.5mm[3.32inch]
 Typical Application : Fan, Ventilator, Air Conditioner,
 Air Purifier

Performance Curve



Dimension (mm[inch])



Performance (testing under room temperature)

Model	Dim A mm[inch]	Dim B mm[inch]	Dim S mm[inch]	Voltage (V AC)	Speed (rpm)	Current (A)	Rated Output Power (W)
BF313320	95[3.74]	84.5[3.32]	8.0[0.31]	115/230	1,550	0.2 - 1.5	60

The information above is for reference only, detailed specification is subject to final confirmation