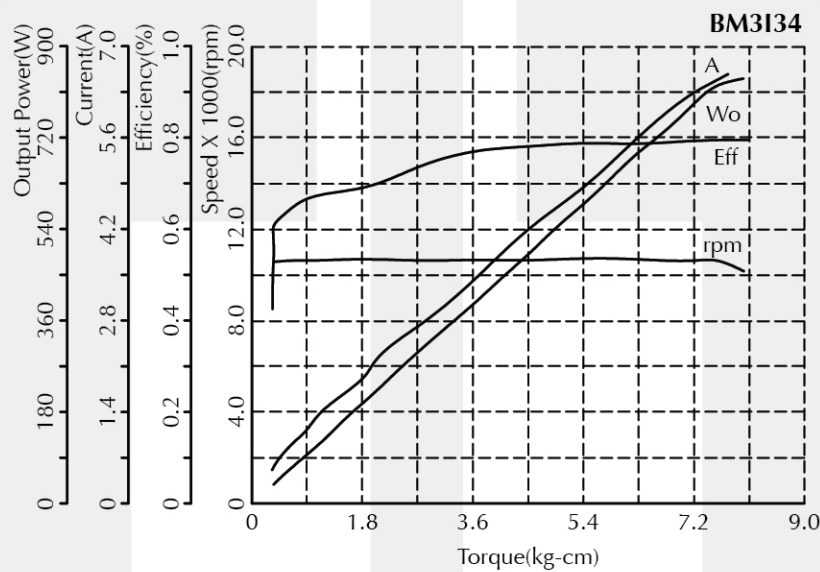


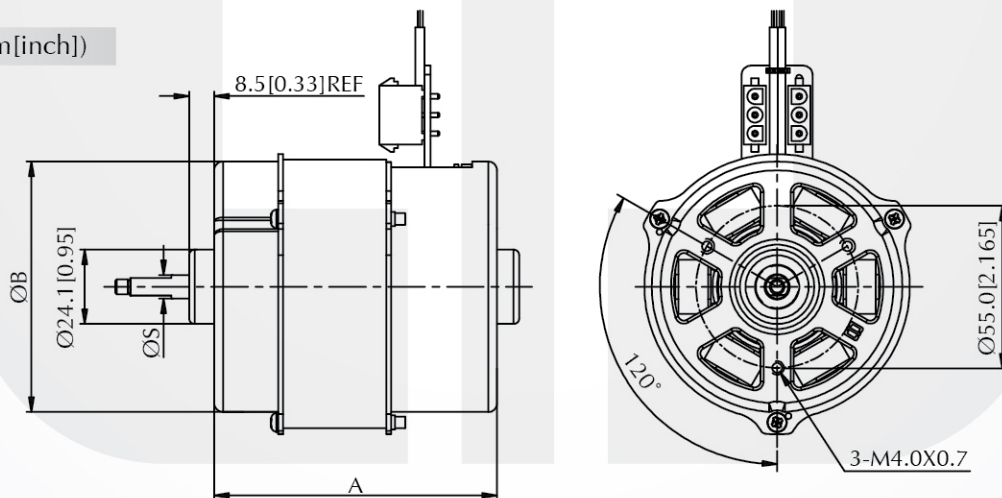
Brushless Motor - BM3134 Series

Voltage : 100 - 240V AC (50/60Hz)
 Rated Speed : 390 - 21,500rpm
 Rated Output Power: 10 - 400W
 Insulation Class : B
 Motor Diameter : Ø86mm[3.4inch]
 Typical Application : Cooking Blender, Food Blender

Performance Curve



Dimension (mm[inch])



Performance (testing under room temperature)

Model	Dim A mm[inch]	Dim B mm[inch]	Dim S mm[inch]	Rated Voltage (V DC)	Rated Speed (rpm)	Rated Current (A)	Rated Output Power (W)
BM313435	96[3.78]	84.8[3.34]	8.0[0.31]	100 - 240	390 - 21,500	2 - 10	10 - 400

The information above is for reference only, detailed specification is subject to final confirmation