
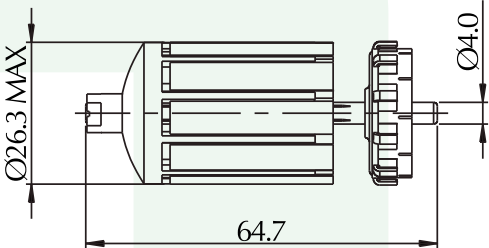
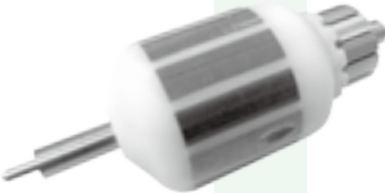
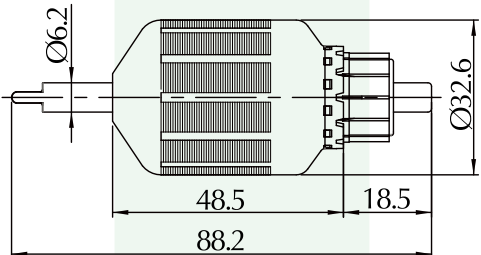

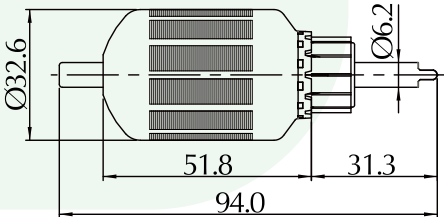

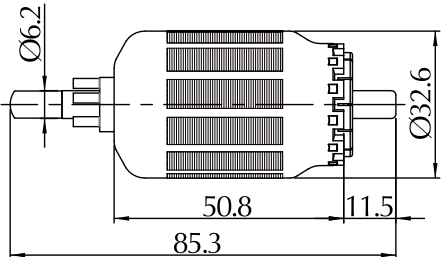


**Typical Applications 应用范围** : Armature of Fuel Pump Motor  
燃油泵电机电枢

**Features 特性** : Overmolded  
模压

**Weight 重量** : 70-180(g/克)

| Model<br>产品类型 | Commutator<br>换向器 |             | Image   | Dimension mm<br>外形尺寸 毫米   |
|---------------|-------------------|-------------|---|---|
|               | Material<br>物料    | Shape<br>形状 |   |   |
| 03061030001   | Copper<br>铜       | Flat<br>平   |   |    |
| 03091223002   | Copper<br>铜       | Barrel<br>管 |  |   |
| 03091226006   | Copper<br>铜       | Barrel<br>管 |  |   |
| 03091226009   | Carbon<br>碳       | Flat<br>平   |  |  |

This product catalogue is subject to copyright owned by the limited. Any reproduction, adaptation, distribution, dissemination or making available of such copyright works to the public is strictly prohibited. All product information is for reference only, detailed specification is subject to final confirmation.  
产品资料乃授本公司之版权保护。任何复制、改编、分发、发布或提供该等版权之资料向公众是严格禁止的。所有产品信息仅供参考，详细规格以最后确认为准。