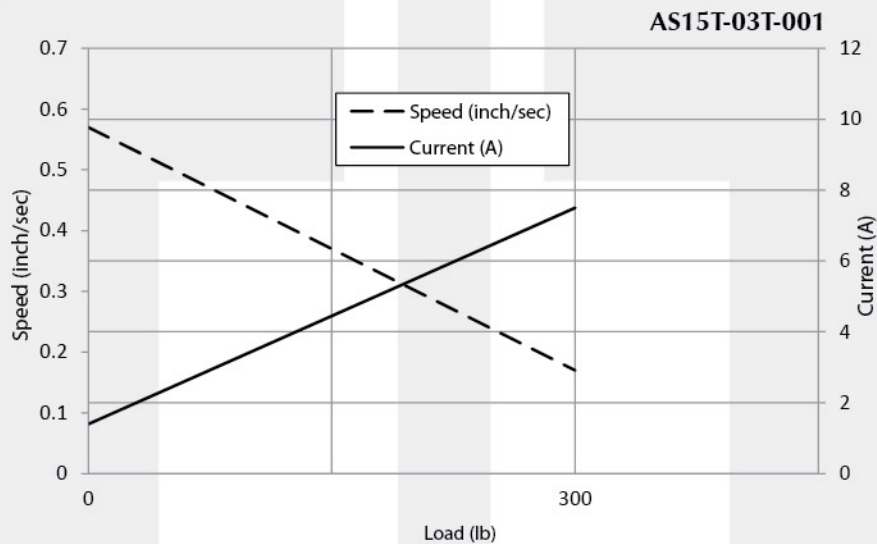




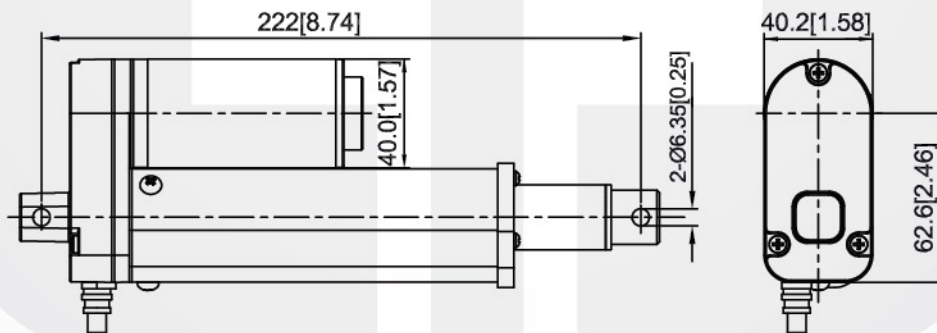
Linear Actuator – AS15T-03 Series

Voltage : 24V DC
 Rated Speed : 4 - 15mm/sec
 Stroke Length : 45mm[1.77inch]
 Loading Capability : 136kg[300lb]
 Insulation Class : A, B, H
 Motor Diameter : Ø40mm[1.57inch]
 Typical Application : Floor Scrubber, Electric Lift Chair, Hospital Bed

Performance Curve



Dimension (mm[inch])



Performance (testing under room temperature)

Model	Nominal	No Load		Normal Operating Load			Max Load REF		
	Voltage (V DC)	Speed mm/sec [inch/sec]	Current (A)	Load (kg[lb])	Speed mm/sec [inch/sec]	Current (A)	Load (kg[lb])	Speed mm/sec [inch/sec]	Current (A)
AS15T-03T-0001	24	14.5 [0.57]	1.4	50 [110]	13.0 [0.51]	2.5	136 [300]	4.3 [0.17]	7.5

The information above is for reference only, detailed specification is subject to final confirmation