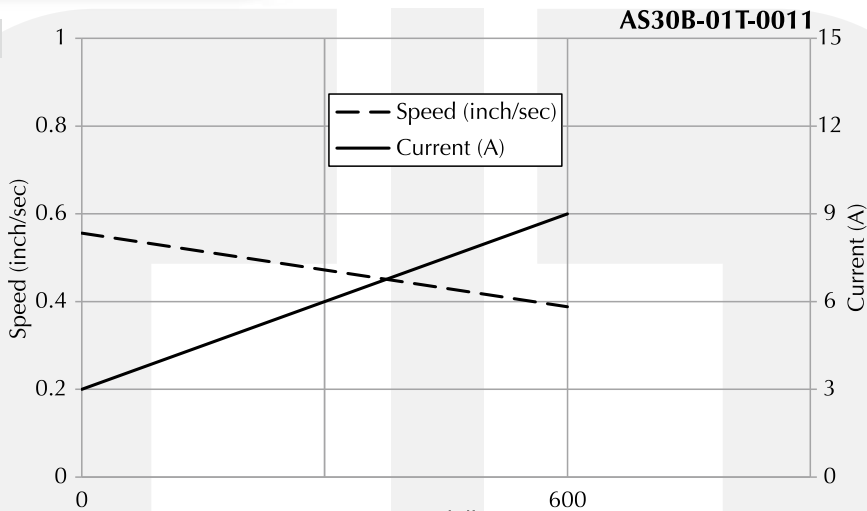




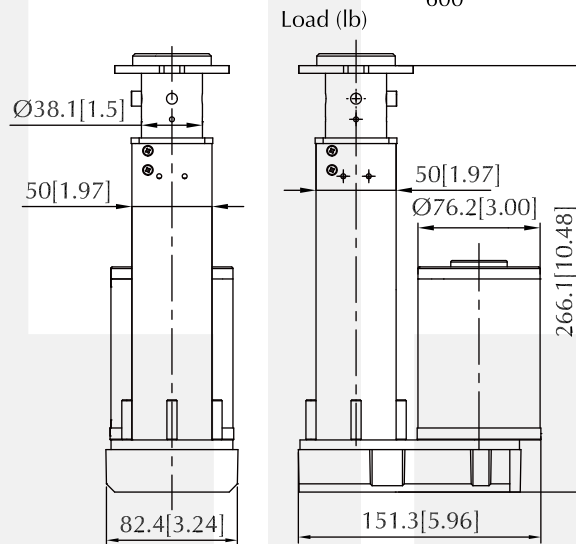
## Linear Actuator - AS30B-01 Series

Voltage : 12 - 36V DC  
 Rated Speed : 10 - 40mm/sec  
 Stroke Length : 127mm[5inch]  
 Loading Capability : 272.2kg[600lb]  
 Insulation Class : A, B, H  
 Motor Diameter : Ø76.2mm[3.0inch]  
 Typical Application : Power Seat Lift for Scooter & Power Chair, Electric Lift Chair, Power Seat Lift for RV.

Performance Curve



Dimension (mm[inch])



Performance (testing under room temperature)

Model	Nominal	No Load			Normal Operating Load			Max Load REF		
	Voltage (V DC)	Speed mm/sec [inch/sec]	Current (A)	Load (kg[lb])	Speed mm/sec [inch/sec]	Current (A)	Load (kg[lb])	Speed mm/sec [inch/sec]	Current (A)	
AS30B-011-0005	24	13.85 [0.545]	4.7	90.7 [200]	12.7 [0.5]	10.0	272.2 [600]	10.4 [0.409]	20.6	
AS30B-01T-0006	24	12.2 [0.481]	4.0	136.1 [300]	9.9 [0.388]	6.5	272.2 [600]	7.5 [0.295]	9.0	
AS30B-01T-0009	24	19.5 [0.770]	4.2	181.4 [400]	16.9 [0.667]	8.0	272.2 [600]	15.5 [0.610]	10.0	
AS30B-01T-0011	24	14.1 [0.556]	3.0	90.7 [200]	12.7 [0.500]	5.0	272.2 [600]	9.9 [0.388]	9.0	
AS30B-01T-0022	24	12.7 [0.500]	4.7	163.3 [360]	11.3 [0.444]	6.6	272.2 [600]	10.2 [0.400]	8.0	

The information above is for reference only, detailed specification is subject to final confirmation