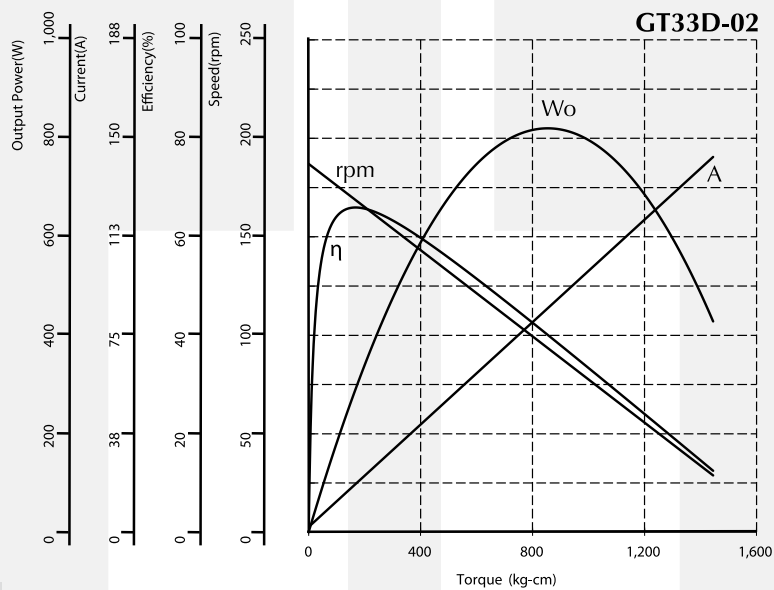


Transaxle - GT33D-02 Series

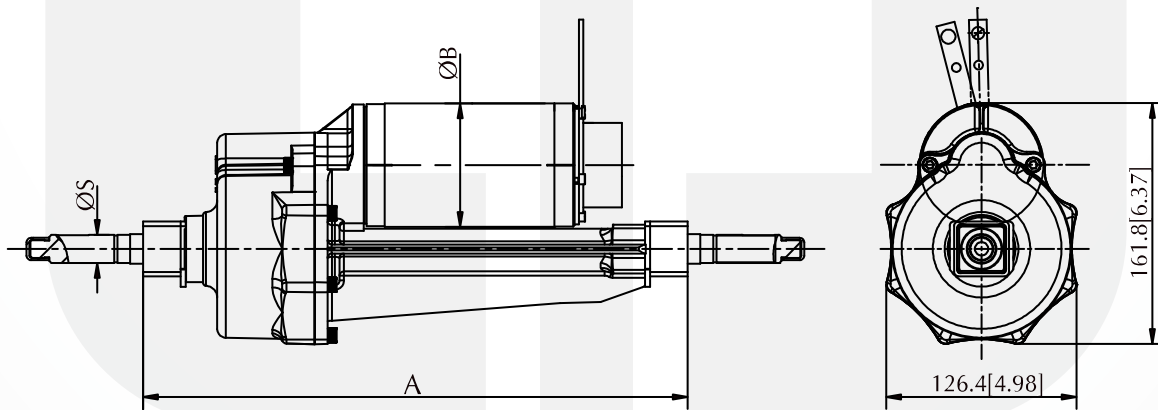


Voltage : 12 - 36V DC
 Rated Speed : 160 - 180rpm
 Rated Output Power: 200 - 350W
 Gear Ratio : 16.75 : 1
 Rated Torque : 170.8-209.0kg-cm[148.12-181.40lb-in]
 Loading Capability : 854.3kg-cm[741.5lb-in]
 Motor Diameter : Ø83.8mm[3.3inch]
 Typical Application : Scooter, Golf Cart

Performance Curve



Dimension (mm[inch])



Performance (testing under room temperature)

Model	Dim A mm[inch]	Dim B mm[inch]	Dim S mm[inch]	Gear Ratio	Rated Voltage (VDC)	No Load		At Maximum Efficiency				Max Power		
						Speed (rpm)	Current (A)	Torque (kg-cm[lb-in])	Speed (rpm)	Current (A)	Output (W)	Effic'y (%)	Torque (kg-cm[lb-in])	Current (A)
GT33D-02-01	367.5[14.47]	83.8[3.3]	20.0[0.79]	16.75:1	24	187	2	170.8[148.12]	169	18.7	295.3	66	854.3[740.85]	85.3
GT33D-02-02	367.5[14.47]	83.8[3.3]	20.0[0.79]	16.75:1	24	187	2	170.8[148.25]	168	18.6	295.3	65.9	854.3[741.50]	85.3
GT33D-02-03	367.5[14.47]	83.8[3.3]	20.0[0.79]	16.75:1	24	213	4.3	209.0[181.40]	184.2	27.3	397.2	60.6	777.5[674.84]	89.5

The information above is for reference only, detailed specification is subject to final confirmation