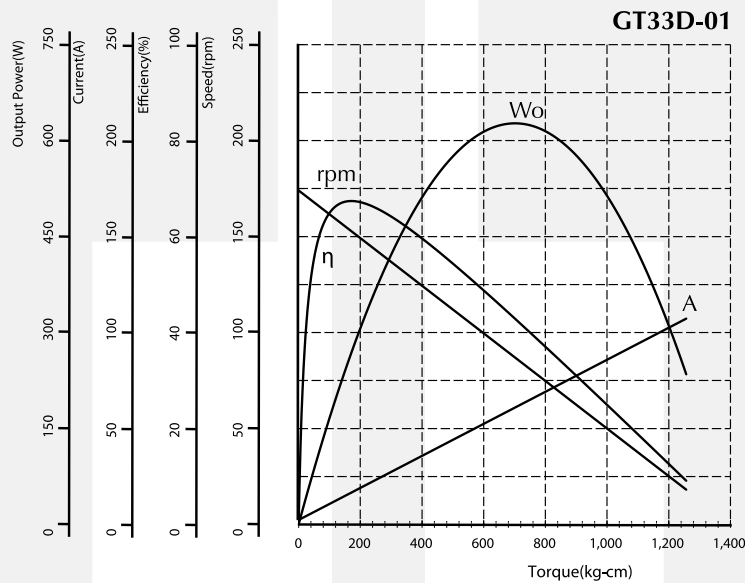




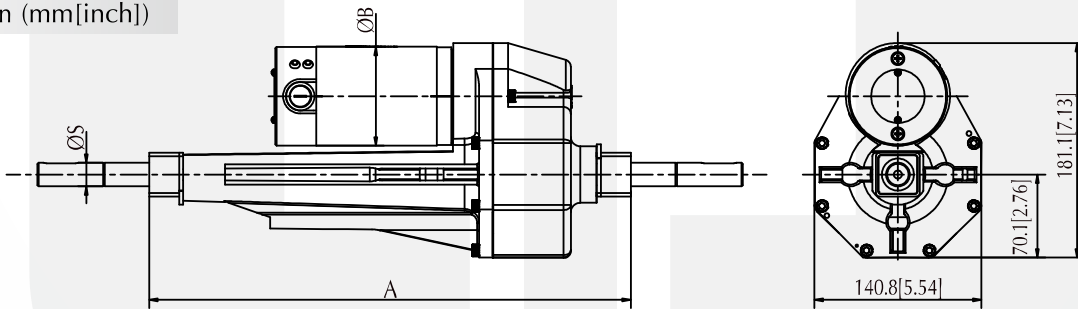
Transaxle – GT33D/40D-01 Series

Voltage : 12 - 36V DC
 Rated Speed : 100 - 200rpm
 Rated Output Power: 150 - 500W
 Gear Ratio : 19.75 : 1
 Rated Torque : 160.0-214.0kg-cm[138.87-185.74lb-in]
 Loading Capability : 805.4kg-cm[699.05lb-in]
 Motor Diameter : Ø83.8mm[3.3inch]
 Typical Application : Polisher, Scooter, Golf Cart

Performance Curve



Dimension (mm[inch])



Performance (testing under room temperature)

Model	Dim A mm [inch]	Dim B mm [inch]	Dim S mm [inch]	Gear Ratio	Rated Voltage (V DC)	No Load		At Maximum Efficiency				Max Power		
						Speed (rpm)	Current (A)	Torque (kg-cm[lb-in])	Speed (rpm)	Current (A)	Output (W)	Effc'y (%)	Torque (kg-cm[lb-in])	Current (A)
GT33D-01-01	406.2 [15.99]	83.8 [3.3]	20 [0.79]	19.75:1	24.0	174	2.3	169.3[146.99]	153	16.45	266.3	67.45	705.7[612.52]	61.3
GT33D-01-02	406.2 [15.99]	83.8 [3.3]	20 [0.79]	19.75:1	24.0	200	2.6	185.2[160.75]	177	20.7	336.7	67.6	805.4[699.05]	81.5
GT33D-01-03	406.2 [15.99]	83.8 [3.3]	20 [0.79]	19.75:1	24.0	185	3.5	214[185.74]	160	23.12	351.8	63.4	793[688.29]	76.2
GT33D-01-04	406.2 [15.99]	83.8 [3.3]	20 [0.79]	19.75:1	24.0	141	2.0	160[138.87]	122.7	13	201.6	64.6	615.5[534.23]	44.3
GT40D-01-01	317 [12.48]	101.6 [4.0]	19.0 [0.75]	19.75:1	24.0	197	7.0	236[205.32]	152	23.2	368	66.2	613[533.31]	98.5
GT40D-01-02	356 [14.02]	101.6 [4.0]	19.0 [0.75]	19.75:1	24.0	130	3.5	220.4[191.75]	108.5	17.7	244.7	57.5	663.3[577.07]	65

The information above is for reference only, detailed specification is subject to final confirmation