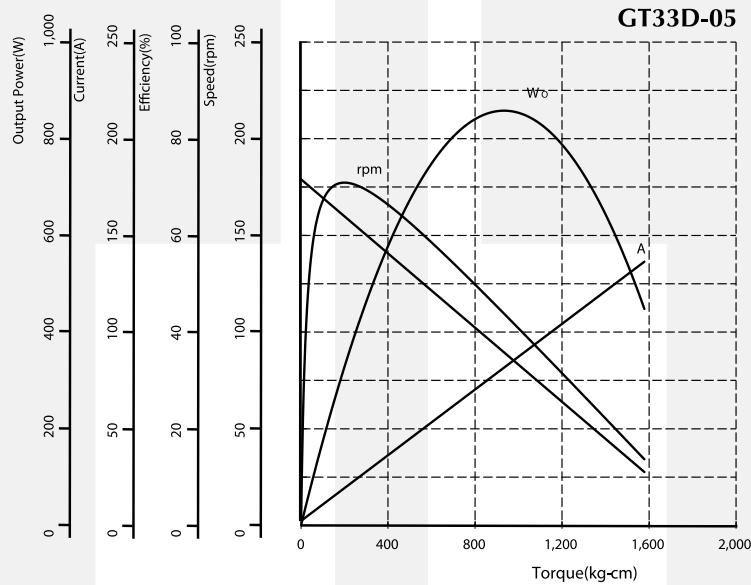


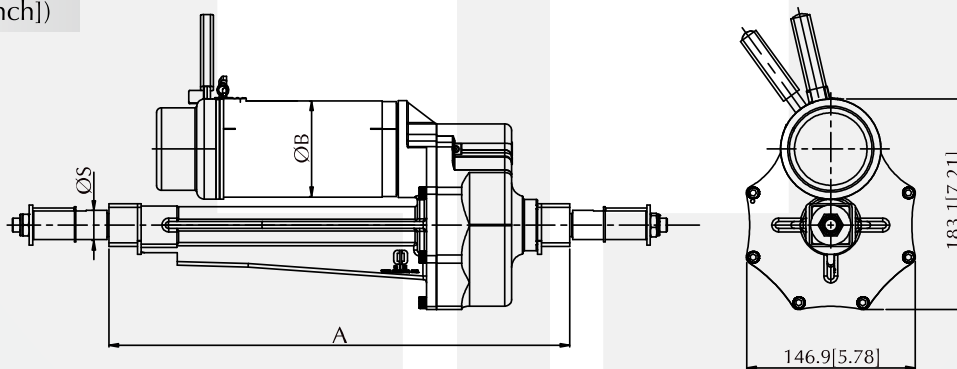
Transaxle – GT33D/40D-05 Series

Voltage : 12 - 36V DC
 Rated Speed : 100 - 200rpm
 Rated Output Power: 150 - 400W
 Gear Ratio : 19.75 : 1
 Rated Torque : 178.7-196.0kg-cm[155.1-170.1lb-in]
 Loading Capability : 933.4kg-cm[810.2lb-in]
 Motor Diameter : Ø83.8mm[3.3inch]
 Typical Application : Polisher, Scooter, Golf Cart

Performance Curve



Dimension (mm[inch])



Performance (testing under room temperature)

Model	Dim A mm [inch]	Dim B mm [inch]	Dim S mm [inch]	Gear Ratio	Rated Voltage (V DC)	No Load		At Maximum Efficiency				Max Power		
						Speed (rpm)	Current (A)	Torque (kg-cm[lb-in])	Speed (rpm)	Current (A)	Output (W)	Effc'y (%)	Torque (kg-cm[lb-in])	Current (A)
GT33D-05-01	406.5 [16]	83.8 [3.3]	19 [0.75]	19.75:1	24.0	179	2.3	196 [170.1]	160	18.95	322.5	70.9	933.4 [810.2]	81.57
GT33D-05-02	406.5 [16]	83.8 [3.3]	19 [0.75]	19.75:1	24.0	178	2.5	178.7 [155.1]	158.4	20.6	291.7	58.7	812.1 [704.87]	84.8
GT33D-05-03	406.5 [16]	83.8 [3.3]	19 [0.75]	19.75:1	24.0	190	3.5	189.8 [164.7]	157	24.3	305.2	52	730 [633.6]	83.5
GT40D-05-01	356 [14.0]	101.6 [4.0]	19 [0.75]	19.75:1	24.0	169	6.1	389.6 [338.9]	145	38.7	581.5	63	1391 [1210.2]	85
GT40D-05-02	356 [14.0]	101.6 [4.0]	18 [0.71]	19.75:1	24.0	200	5.0	136.0 [118.3]	207	17	289	69.5	679 [590.73]	115

The information above is for reference only, detailed specification is subject to final confirmation