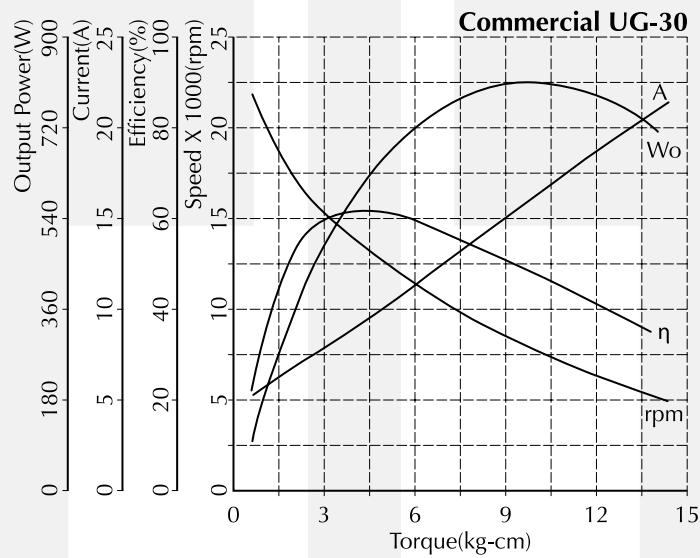


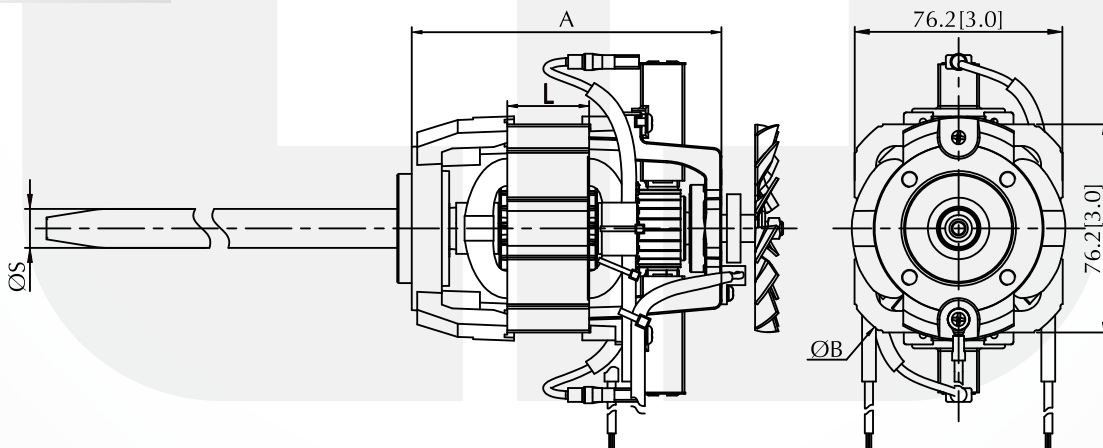
Universal Motor - UG Commercial Version

Voltage : 100 - 240V AC (50/60Hz)
 Rated Speed : 9,000 - 20,000rpm
 Rated Output Power: 350 - 900W
 Insulation Class : A, B, F, H
 Motor Diameter : Ø95mm[3.74inch]
 Typical Application : Drink Mixer

Performance Curve



Dimension (mm[inch])



Performance (testing under room temperature)

Model	Dim A mm[inch]	Dim B mm[inch]	Dim L mm[inch]	Dim S mm[inch]	Rated Torque (kg-cm[lb-in])	Rated Output Power (W)
UG-30	30.0 [1.18]	95.0 [3.74]	113.5 [4.47]	14.2 [0.56]	2.0 - 9.0 [1.73 - 7.80]	356 - 650
UG-40	40.0 [1.57]	95.0 [3.74]	123.5 [4.86]	14.2 [0.56]	4.0 - 12.0 [3.46 - 10.38]	450 - 900

The information above is for reference only, detailed specification is subject to final confirmation