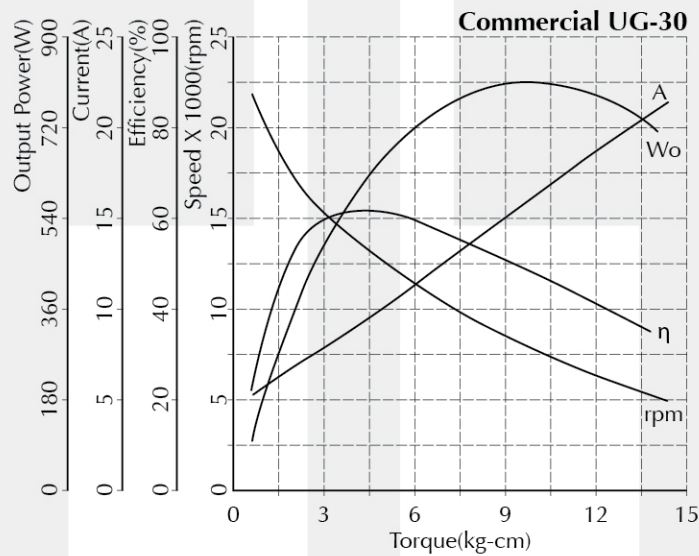


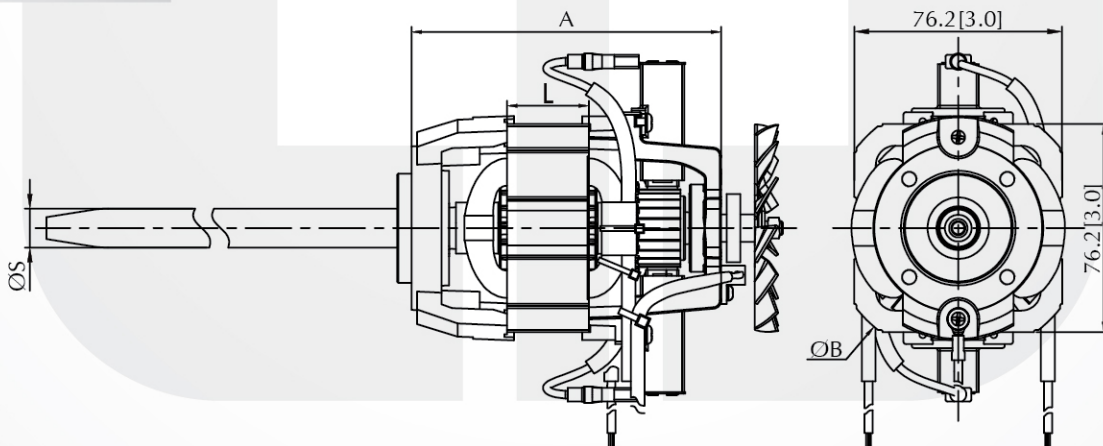
## Universal Motor - UG Commercial Version

Voltage : 100 - 240V AC (50/60Hz)  
 Rated Speed : 9,000 - 20,000rpm  
 Rated Output Power: 350 - 700W  
 Insulation Class : A, B, F, H  
 Motor Diameter : Ø95mm[3.74inch]  
 Typical Application : Drink Mixer

### Performance Curve



### Dimension (mm[inch])



### Performance (testing under room temperature)

Model	Dim A mm[inch]	Dim B mm[inch]	Dim L mm[inch]	Dim S mm[inch]	Rated Torque (kg-cm[lb-in])	Rated Output Power (W)
<b>UG-30</b>	30.0 [1.18]	95.0 [3.74]	113.5 [4.47]	14.2 [0.56]	2.0 - 9.0 [1.73 - 7.80]	356 - 650

The information above is for reference only, detailed specification is subject to final confirmation