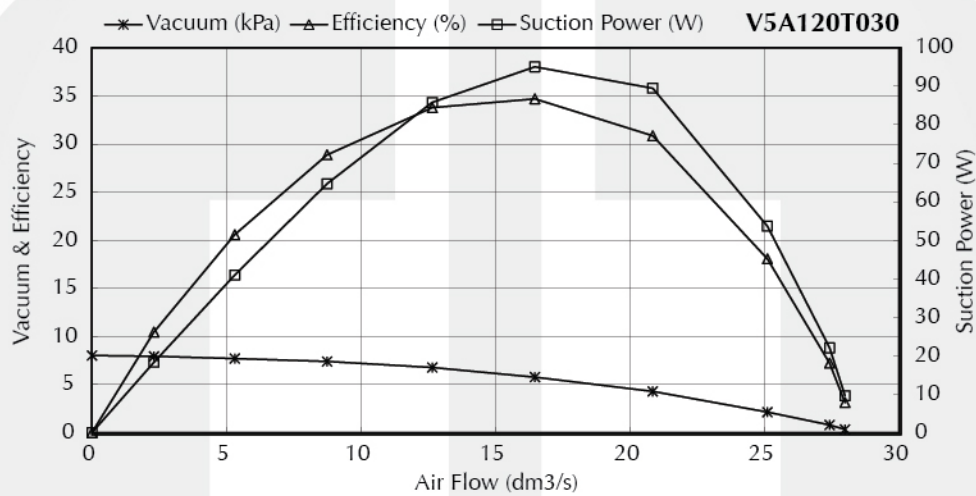




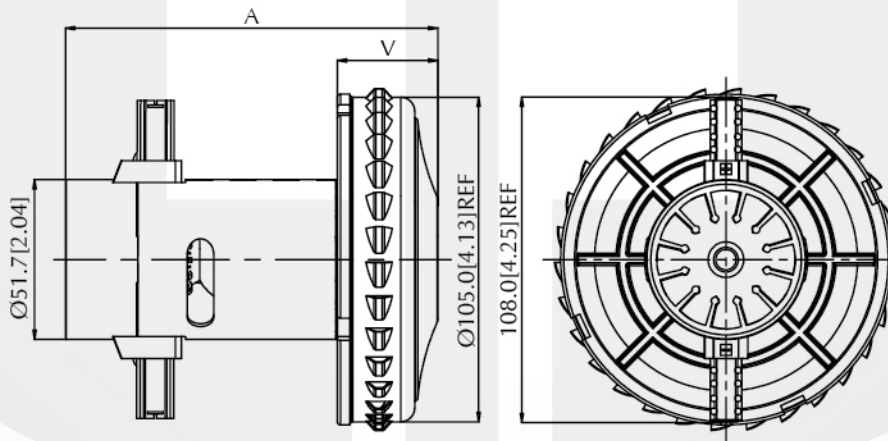
## VC Motor - V5 By Pass Series

Voltage : 12 - 36V DC  
 Rated Speed : 18,000 - 38,000rpm  
 Rated Input Power : 150 - 500W  
 Blower Diameter : Ø110.4mm[4.35inch]  
 Stage : Single  
 Suction : 10.6KPa [42.52in-H2O]  
 Volume Flow Rate : 23.67dm<sup>3</sup>/s [50.15CFM]  
 Typical Application : Vacuum Cleaner, Hand Dryer

### Performance Curve



### Dimension (mm[inch])



### Performance (testing under room temperature)

Model	Dim A mm[inch]	Dim V mm[inch]	Stage	Rated Input Power (W)	Maximum		
					Suction KPa[in-H2O]	Output Power (W)	Volume Flow Rate (dm <sup>3</sup> /s[CFM])
<b>V5A120</b>	120.5[4.74]	32.5[1.28]	Single	400	10.60[42.52]	107	23.67[50.15]

The information above is for reference only, detailed specification is subject to final confirmation