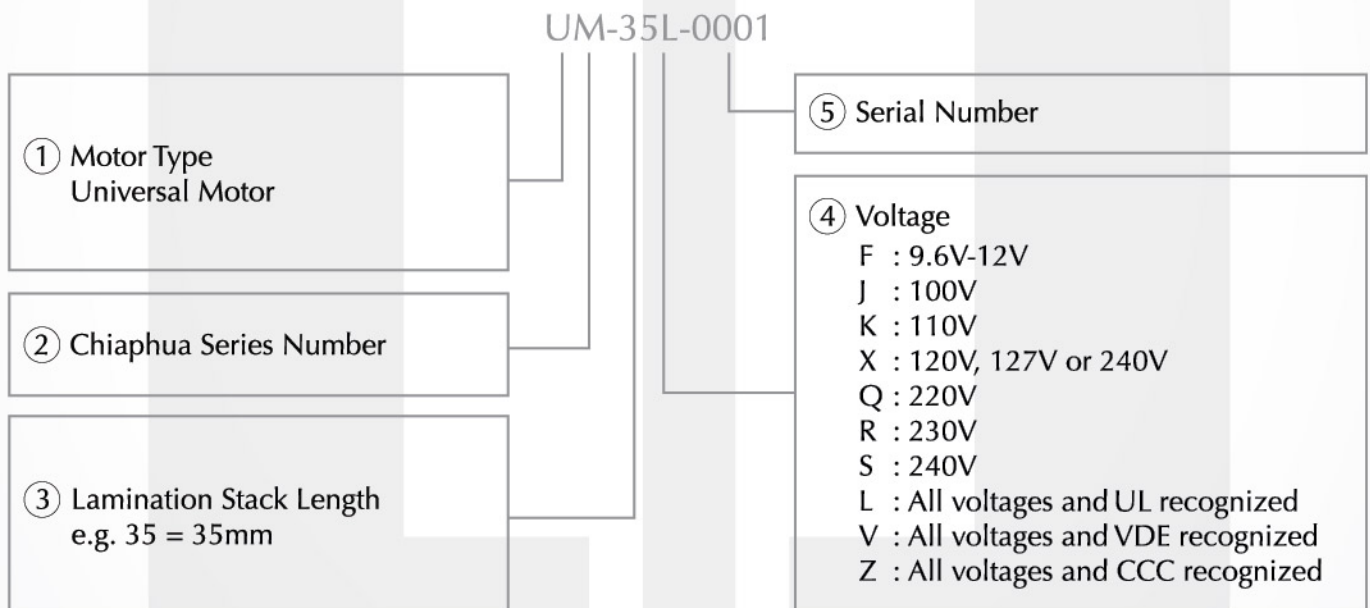


Universal Motor

CCL universal motors are available with a wide selection of dimensions and performances for various applications, such as kitchen appliances, personal care, floor care and power tools. The long life and low temperature rise of UG commercial version makes it perfect to work continuously with heavy load for commercial purposes. It can operate over 1000 hours and the motor's life can be tailored to suit your requirement. Some series like UG and UP are available with additional fan or gearbox for specific purposes.



The information above is for reference only, detailed specification is subject to final confirmation