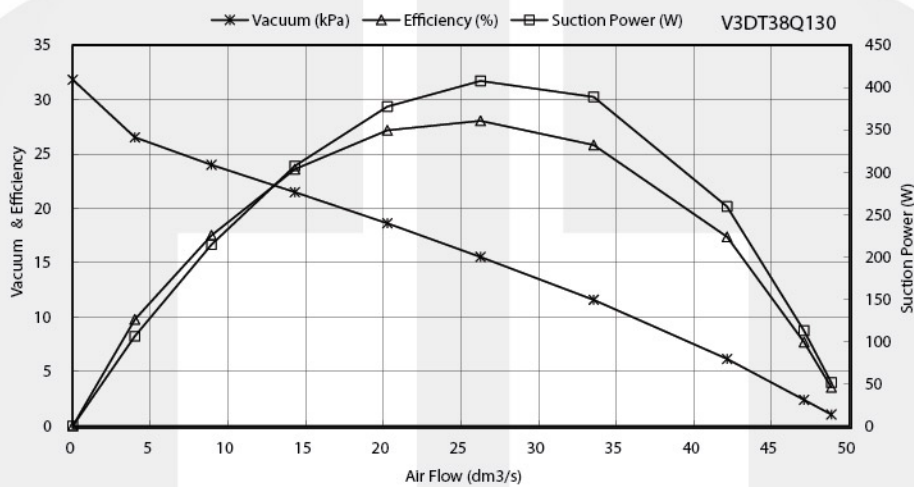




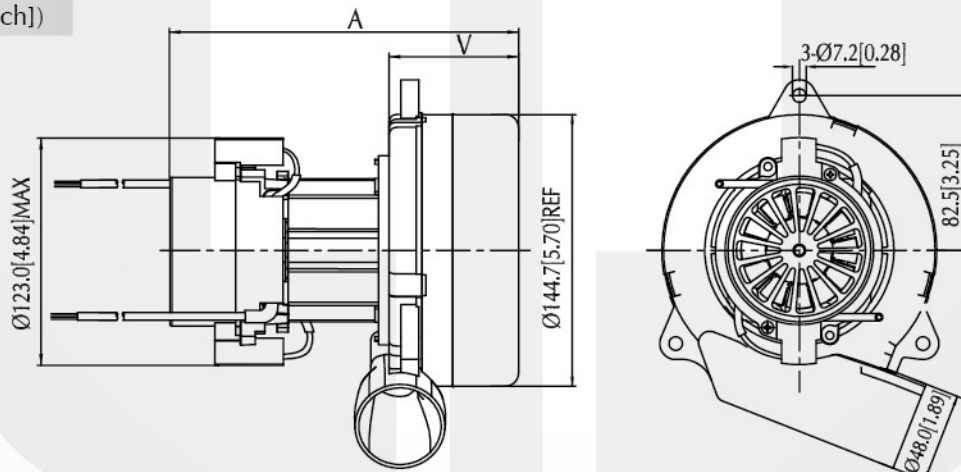
VC Motor - V3 By Pass (Tangential)

Voltage : 100-240V AC (50/60Hz), 12-36V DC
 Rated Speed : 14,000 - 32,000rpm
 Rated Input Power : 300 - 1,700W
 Blower Diameter : Ø144.5-152.1mm[5.69-5.99inch]
 Stage : Double, Triple
 Suction : 33.34KPa [133.86in-H2O]
 Volume Flow Rate : 58.0dm³/s [122.9CFM]
 Typical Application : Vacuum Cleaner

Performance Curve



Dimension (mm[inch])



Performance (testing under room temperature)

Model	Dim A mm[inch]	Dim V mm[inch]	Stage	Rated Input Power (W)	Maximum		
					Suction KPa[in-H2O]	Output Power (W)	Volume Flow Rate (dm³/s[CFM])
V3DD38	176.0[6.93]	69.0[2.72]	Double	1,700	33.34[133.86]	540	55.0[116.54]
V3D238	183.0[7.20]	76.0[2.99]	Double	1,500	27.46[110.24]	515	58.0[122.90]
V3DT38	199.0[7.83]	92.2[3.63]	Triple	1,200	30.89[124.02]	380	40.0[84.76]
V3ED28	167.3[6.59]	69.3[2.73]	Double	1,000	25.95[102.74]	320	49.75[105.41]

The information above is for reference only, detailed specification is subject to final confirmation