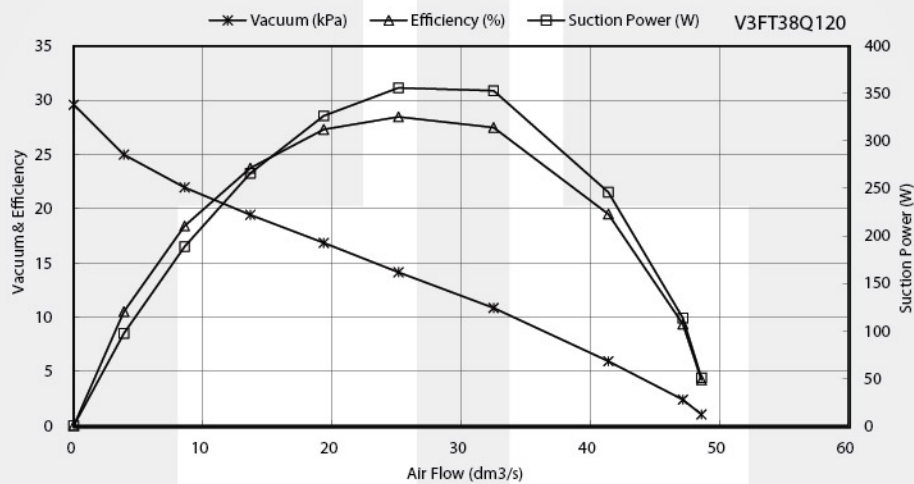




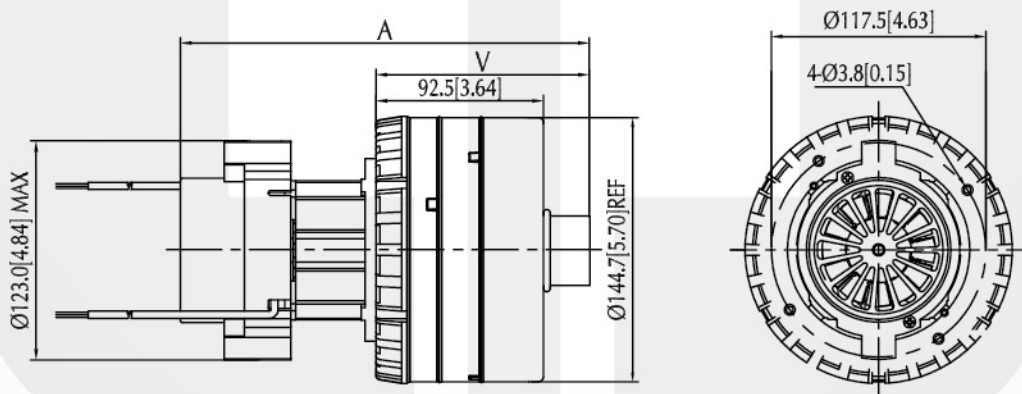
VC Motor - V3 By Pass Series

Voltage : 100-240V AC (50/60Hz), 12-36V DC
 Rated Speed : 14,000 - 32,000rpm
 Rated Input Power : 300 - 1,700W
 Blower Diameter : \varnothing 144.5-152.1mm[5.69-5.99inch]
 Stage : Double, Triple
 Suction : 29.42KPa [118.11in-H2O]
 Volume Flow Rate : 50.0dm³/s [105.94CFM]
 Typical Application : Vacuum Cleaner

Performance Curve



Dimension (mm[inch])



Performance (testing under room temperature)

Model	Dim A mm[inch]	Dim V mm[inch]	Stage	Rated Input Power (W)	Maximum		
					Suction KPa[in-H2O]	Output Power (W)	Volume Flow Rate (dm ³ /s[CFM])
V3FD28	166.4[6.55]	69.0[2.72]	Double	900	20.59[82.68]	265	50.0[105.94]
V3FT38	225.5[8.88]	118.0[4.65]	Triple	1,200	29.42[118.11]	350	50.0[105.94]
V3GT38	199.8[7.87]	91.5[3.60]	Triple	1,135	29.11[116.87]	355	49.0[103.83]
V3HD38	170.0[6.69]	69.0[2.72]	Double	1,300	24.03[96.46]	390	50.0[105.94]

The information above is for reference only, detailed specification is subject to final confirmation

Email: sales@cclmotors.com Website: <http://www.cclmotors.com>
4/F, No. 6, On Lok Mun Street, On Lok Tsuen, Fanling, N.T., Hong Kong.

Tel: (852) 3125 0000 Fax: (852) 3125 0125