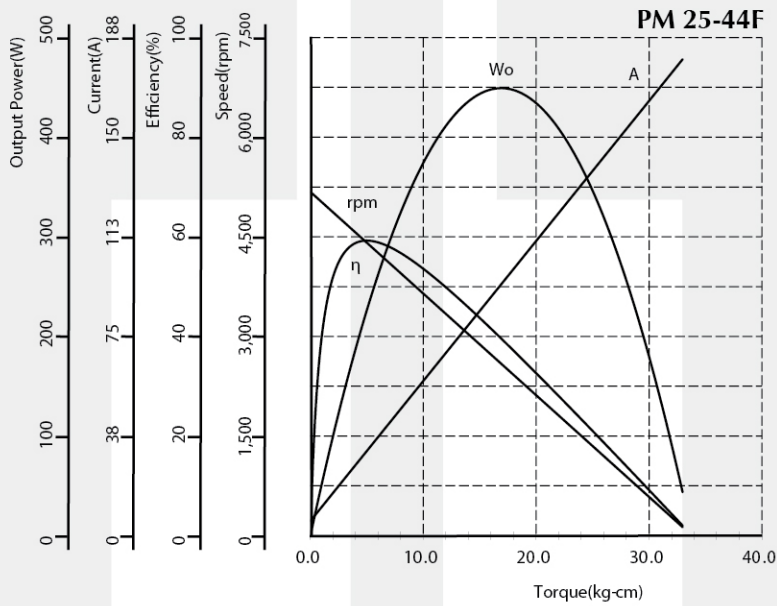




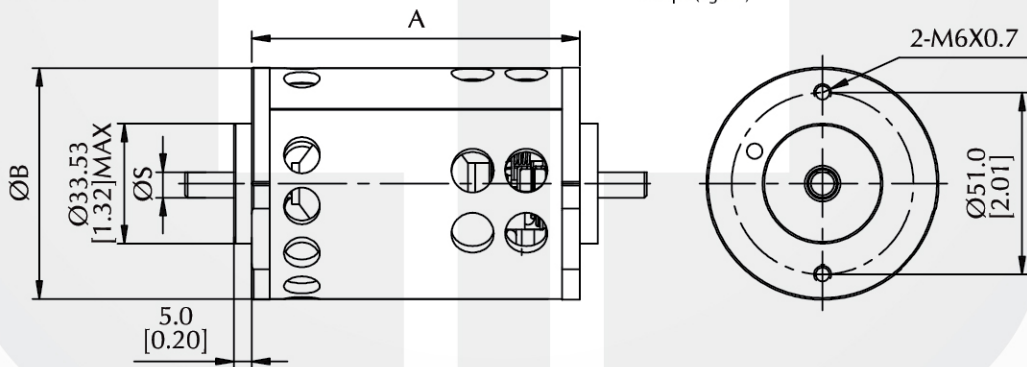
Industrial PMDC Motor - PM25R Series

Voltage : 12 - 230V DC
 Rated Speed : 800 - 5,600rpm
 Rated Torque : 0.81 - 2.75kg-cm[0.70 - 2.39lb-in]
 Rated Input Power : 10 - 400W
 Insulation Class : A, E, B
 Motor Diameter : $\text{\O}65\text{mm}[2.56\text{inch}]$
 Typical Application : Massager, Vibrator, Pump, Diesel Pump, Hydraulic Pump, Polisher, Chemical Pump, Door Opener, Winch

Performance Curve



Dimension (mm[inch])



Performance (testing under room temperature)

Model	Dim A mm[inch]	Dim B mm[inch]	Dim S mm[inch]	Rated Voltage (V DC)	No Load		At Maximum Efficiency				Maximum Power			
					Speed (rpm)	Current (A)	Speed (rpm)	Current (A)	Torque (kg-cm[lb-in])	Output (W)	Speed (rpm)	Current (A)	Torque (kg-cm[lb-in])	Output (W)
PM25R-44F	109.6[4.31]	65[2.56]	7.93[0.31]	12	5,176	5.5	4,755	20	2.75[2.39]	134.3	2,588	94.6	16.9[14.7]	449.3
PM25R-22F	118.7[4.67]	65[2.56]	7.93[0.31]	12	6,175	3.4	5,187	17.18	2.47[2.14]	131.57	3,087	46.41	7.67[6.66]	243.2
PM25R-40R	99.1[3.90]	65[2.56]	7.93[0.31]	230	3,046	0.05	2,619	0.29	1.73[1.50]	46.5	1,523	0.91	6.18[5.36]	96.7
PM25R-30F	111.6[4.39]	65[2.56]	7.93[0.31]	12	1,144	0.32	892	1.21	0.81[0.70]	7.42	572	2.34	1.83[1.59]	10.75

The information above is for reference only, detailed specification is subject to final confirmation