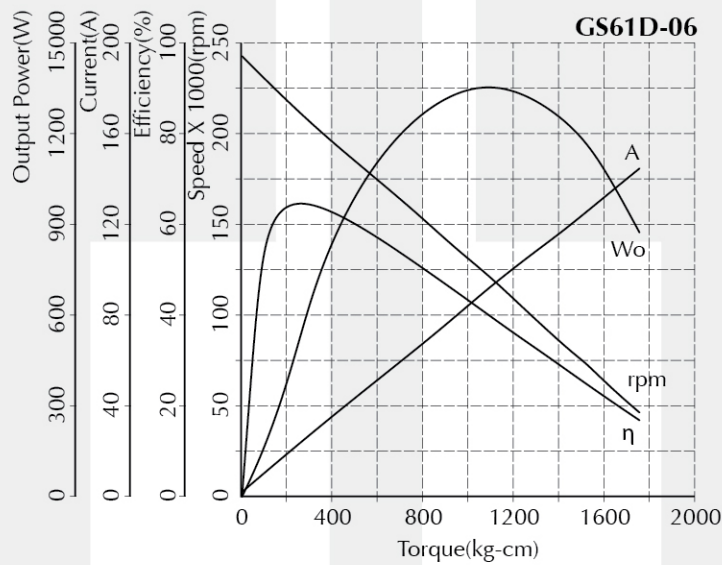




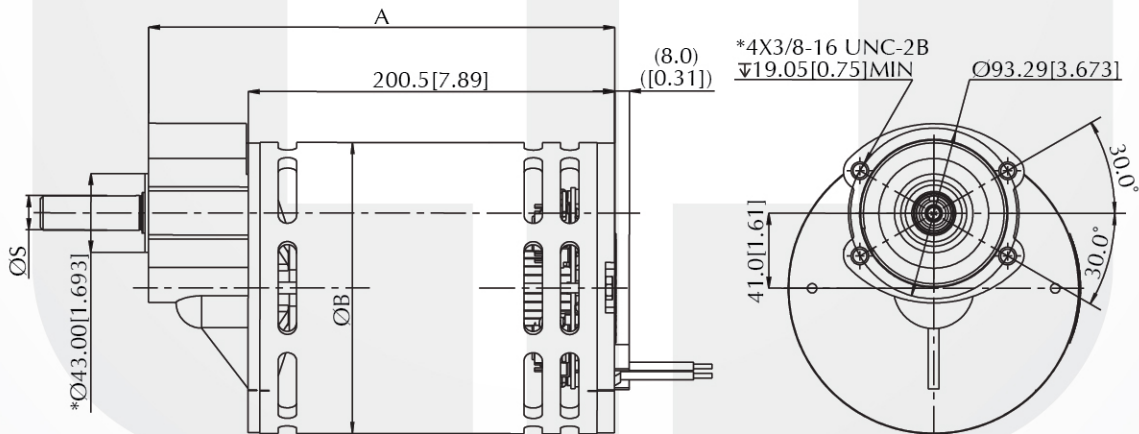
Gearmotor – GS56/61D-06 Series

Voltage : 12 - 110V DC
 Rated Speed : 150 - 350rpm
 Rated Output Power: 300 - 800W
 Gear Ratio : 5.17 : 1
 Rated Torque : 178.6-262.6kg-cm[155.0-228.0lb-in]
 Motor Diameter : Ø139.2/158.5mm[5.48/6.24inch]
 Typical Application : Polisher

Performance Curve



Dimension (mm[inch])



Performance (testing under room temperature)

Model	Dim A mm [inch]	Dim B mm [inch]	Dim S mm [inch]	Gear Ratio	Rated Voltage (V DC)	No Load		At Maximum Efficiency				Max Power		
						Speed (rpm)	Current (A)	Torque kg-cm [lb-in]	Speed (rpm)	Current (A)	Output (W)	Eff'cy (%)	Torque kg-cm [lb-in]	Current (A)
GS56D-06	254.5 [10.02]	139.2 [5.48]	19.0 [0.75]	5.17:1	24	240	3.6	169.0 [146.69]	209	23.4	358	63.7	688.47 [597.56]	86.2
GS61D-06		158.5 [6.24]			36	241.5	3.2	263.36 [228.59]	213	24.8	574	70.9	1,094.35 [949.85]	93.1

The information above is for reference only, detailed specification is subject to final confirmation

Email: sales@cclmotors.com Website: <http://www.cclmotors.com>
4/F, No. 6, On Lok Mun Street, On Lok Tsuen, Fanling, N.T., Hong Kong.

Tel: (852) 3125 0000 Fax: (852) 3125 0125