



Brushless Motor - BM3I56 Series

Voltage : 110 or 230V AC

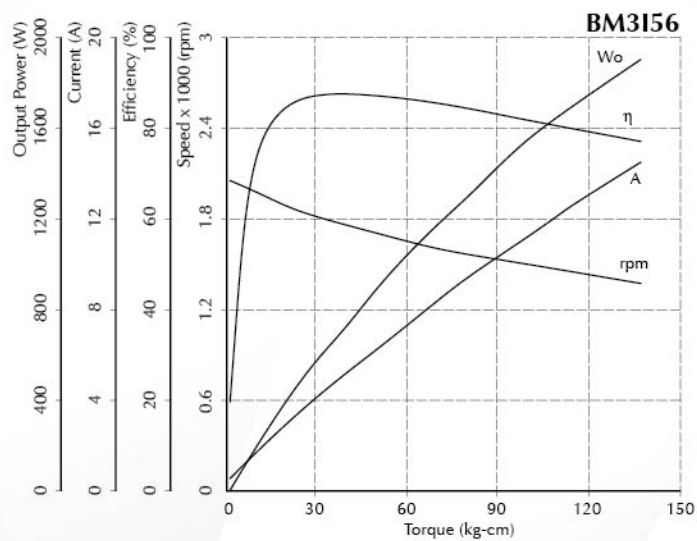
Rated Speed : 2000rpm

Rated Output : 250 - 750W

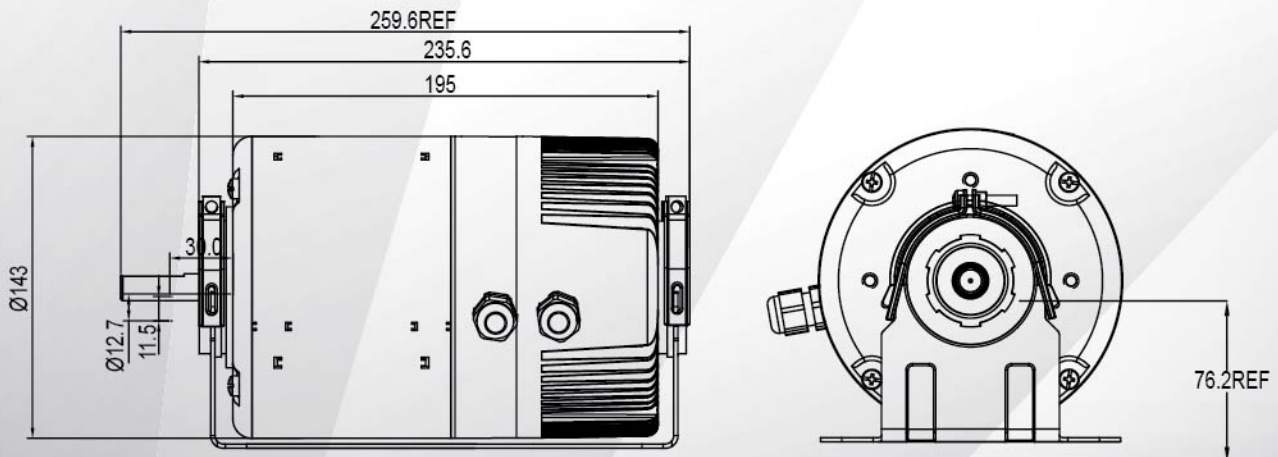
Insulation Class : B

Typical Applications : Blower Fan, Air/Water Pump, Floor Scrubber/
Polisher

Performance Curve



Dimension (mm)



Performance (testing under room temperature)

Model	Rated Voltage/ VAC	Rated Speed/ rpm	Rated Current/ A	Rated Output Power/ W
BM3I56	110 or 230	2000	2-6	250-750

The information above is for reference only, detailed specification is subject to final confirmation

Email: sales@cclmotors.com Website: <http://www.cclmotors.com>
4/F, No. 6, On Lok Mun Street, On Lok Tsuen, Fanling, N.T., Hong Kong.

Tel: (852) 3125 0000 Fax: (852) 3125 0125