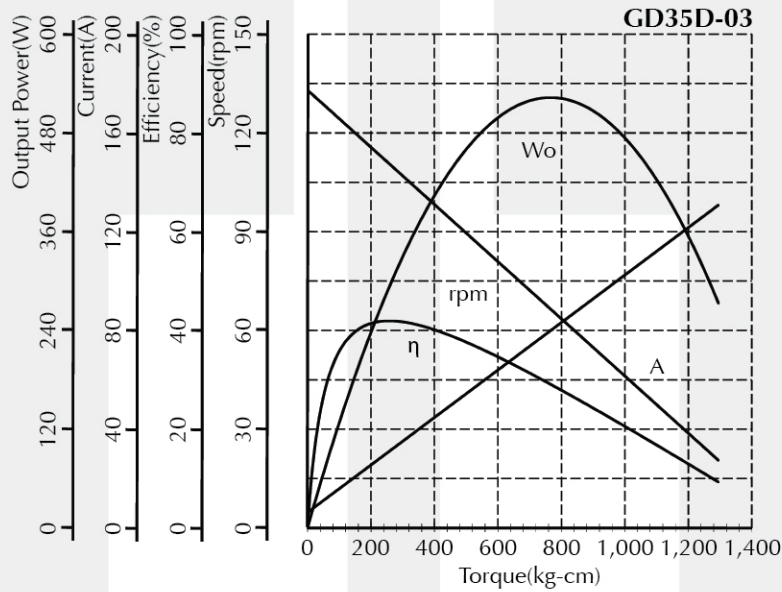


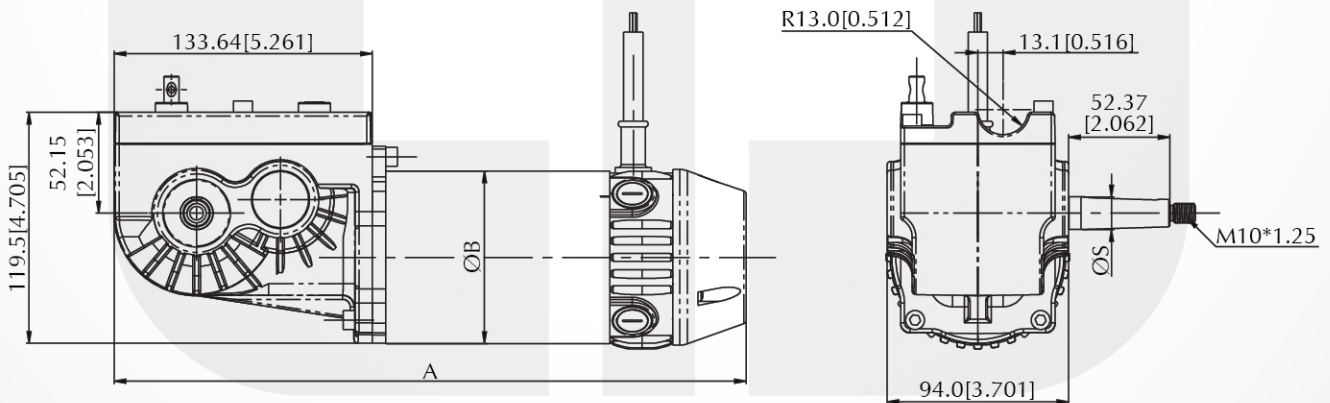
Gearmotor - GD35D-03 Series

Voltage : 12 - 36V DC
 Rated Speed : 100 - 210rpm
 Rated Output Power: 200 - 450W
 Gear Ratio : 26.8:1, 21.75:1, 32:1, 16:1
 Rated Torque : 176.4 - 301.8 kg-cm[153.12 - 261.96lb-in]
 Motor Diameter : Ø89.3mm[3.516inch]
 Typical Application : Shopping Cart, Polisher, Electric Car,
 Electric Wheelchair

Performance Curve



Dimension (mm[inch])



Performance (testing under room temperature)

Model	Dim A mm[inch]	Dim B mm[inch]	Dim S mm[inch]	Gear Ratio	Rated Voltage (V DC)	No Load		At Maximum Efficiency				Max Power		
						Speed (rpm)	Current (A)	Torque (kg-cm[lb-in])	Speed (rpm)	Current (A)	Output (W)	Effic'y (%)	Torque (kg-cm[lb-in])	Current (A)
GD35D-03T-01	327.2[12.88]	89.3[3.52]	16.97[0.668]	26.8:1	22.5	133	3.25	257[223.08]	111	31	292	41.9	765.8[664.71]	88
GD35D-03T-02	327.2[12.88]	89.3[3.52]	16.97[0.668]	21.75:1	22.5	164	6.3	201.9[175.25]	136	30.3	282.6	38.9	594.5[516.03]	77
GD35D-03T-03	327.2[12.88]	89.3[3.52]	16.97[0.668]	32.0:1	22.5	111	6.3	301.8[261.96]	92	30.5	285.2	41.5	887.1[770.0]	77.5
GD35D-03T-04	327.2[12.88]	89.3[3.52]	16.97[0.668]	16.0:1	22.5	205	6.3	176.4[153.12]	171	32.3	309.2	42.5	533.3[462.9]	85.2

The information above is for reference only, detailed specification is subject to final confirmation