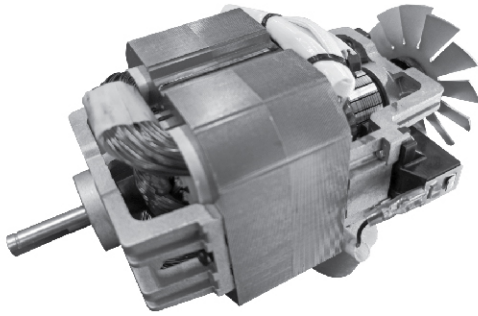
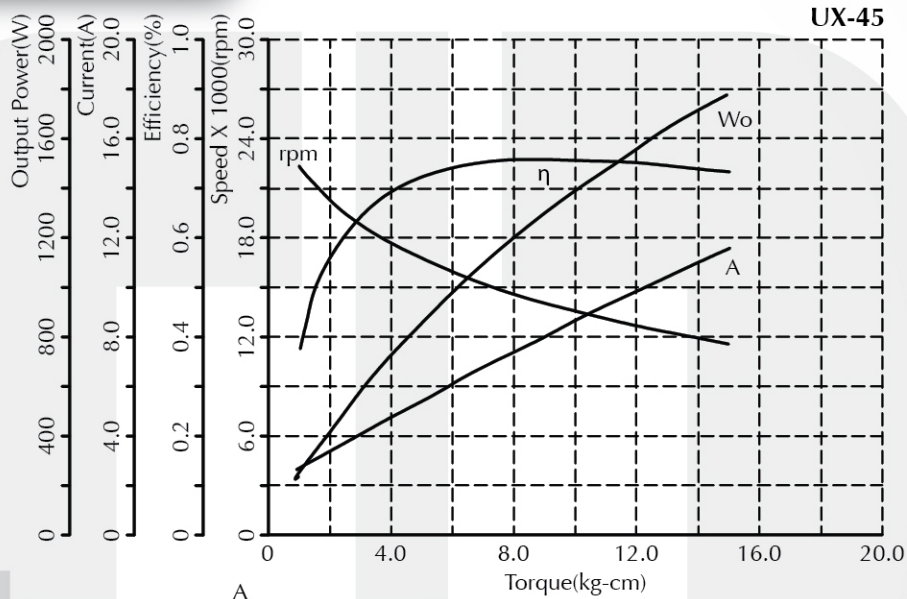


Universal Motor - UX Series

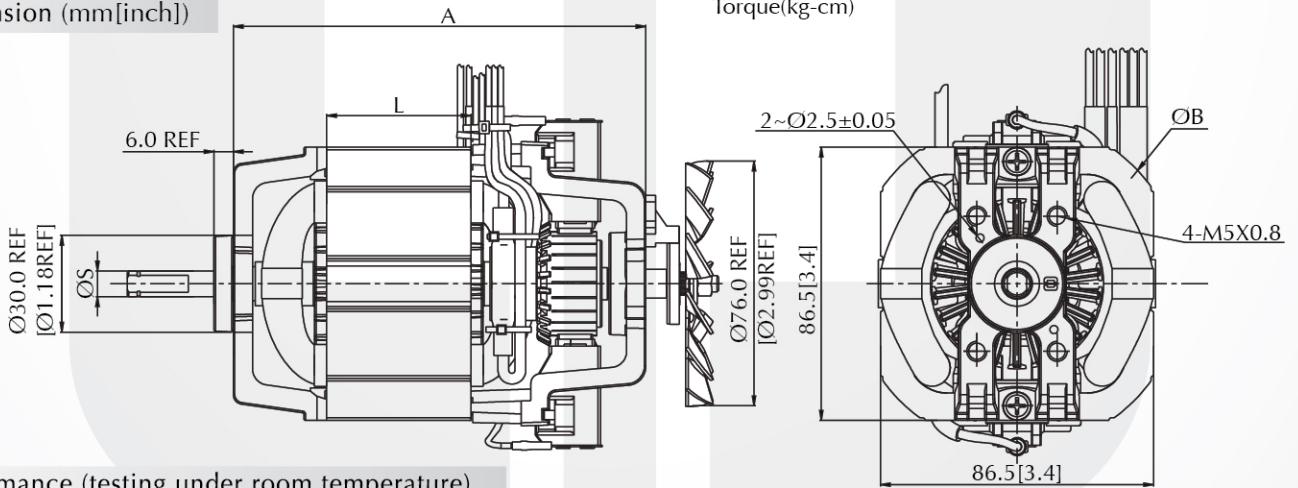


Voltage : 100 - 240V AC (50/60Hz)
 Rated Speed : 10,000 - 18,000rpm
 Rated Output Power: 300 - 1,500W
 Insulation Class : B, F, H
 Motor Diameter : $\varnothing 105\text{mm}$ [4.13inch]
 Typical Application : Food Processor, Blender, Cooking Blender

Performance Curve



Dimension (mm[inch])



Performance (testing under room temperature)

Model	Dim A mm[inch]	Dim B mm[inch]	Dim L mm[inch]	Dim S mm[inch]	Rated Torque (kg-cm)[lb-in]	Rated Output Power (W)
UX-25	108.4[4.27]	105[4.13]	25[0.98]	8.0-10.0[0.31-0.39]	2.0-5.0[1.74-4.35]	350 - 700
UX-30	113.4[4.46]	105[4.13]	30[1.18]	8.0-10.0[0.31-0.39]	3.0-6.0[2.60-5.22]	400 - 750
UX-35	118.4[4.66]	105[4.13]	35[1.38]	8.0-10.0[0.31-0.39]	3.0-7.0[2.60-6.10]	450 - 800
UX-40	123.4[4.86]	105[4.13]	40[1.57]	8.0-10.0[0.31-0.39]	4.0-8.0[3.48-6.96]	500 - 900
UX-45	128.4[5.06]	105[4.13]	45[1.77]	8.0-10.0[0.31-0.39]	4.0-9.0[3.48-7.83]	600 - 1000
UX-50	133.4[5.25]	105[4.13]	50[1.97]	8.0-10.0[0.31-0.39]	5.0-10.0[4.35-8.67]	700 - 1100
UX-55	138.4[5.46]	105[4.13]	55[2.17]	8.0-10.0[0.31-0.39]	5.0-11.0[4.35-9.57]	800 - 1250
UX-60	143.4[5.65]	105[4.13]	60[2.36]	8.0-10.0[0.31-0.39]	6.0-13.0[5.22-11.31]	900 - 1500

The information above is for reference only, detailed specification is subject to final confirmation