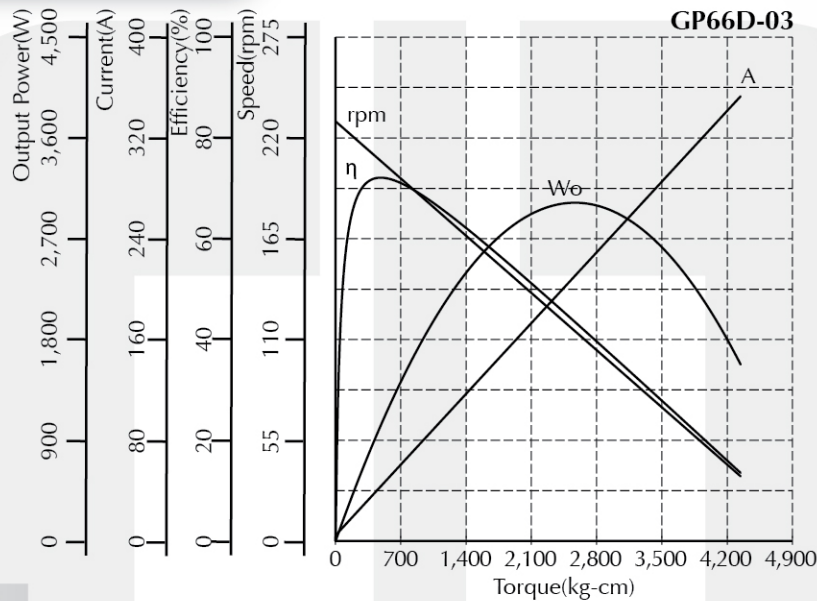




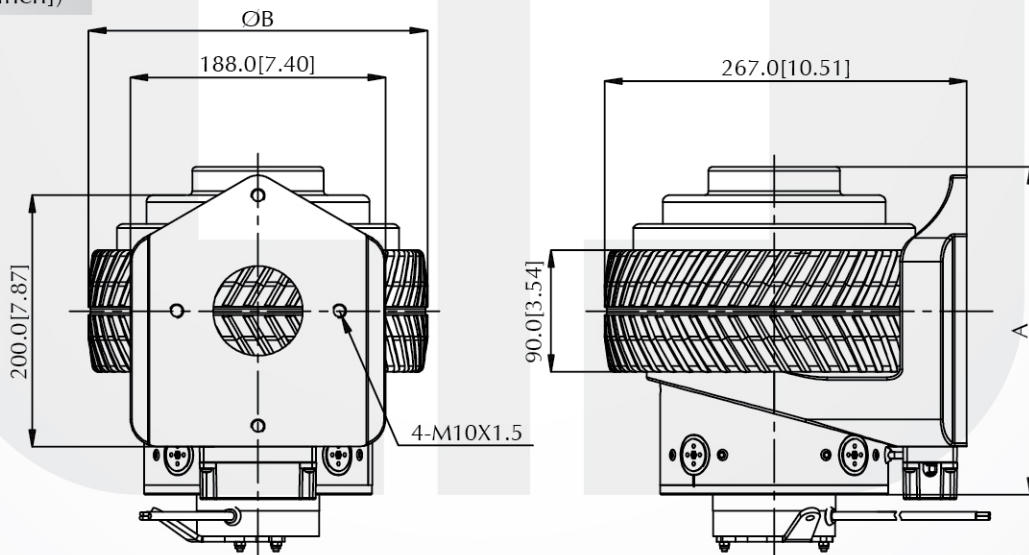
Hub Motor – GP66D-03 Series

Voltage : 24 - 48V DC
 Rated Speed : 110 - 230rpm
 Rated Output Power: 600 - 1,000W
 Gear Ratio : 14.4 : 1
 Rated Torque : 480.31 - 508.70kg-cm [416.89 - 441.53lb-in]
 Motor Diameter : \varnothing 250mm[9.84inch]
 Typical Application : Scooter, Shopping Cart, Cleaning Cart, Sweeper

Performance Curve



Dimension (mm[inch])



Performance (testing under room temperature)

Model	Dim A mm[inch]	Dim B mm[inch]	Gear Ratio	Rated Voltage (V DC)	No Load		At Maximum Efficiency				Max Power		
					Speed (rpm)	Current (A)	Torque (kg-cm[lb-in])	Speed (rpm)	Current (A)	Output (W)	Effic'y (%)	Torque (kg-cm[lb-in])	Current (A)
GP66D-03T-0001	241.7[9.52]	250[9.84]	14.4:1	33	229	4.50	480.31[416.89]	208	43.04	1,024.0	72.10	5,137.30[4,458.97]	416.70
GP66D-03T-0002	241.7[9.52]	250[9.84]	14.4:1	36	134	3.2	508.70[441.53]	115	21.65	600.0	78.30	3,521.00[3,056.09]	128.0

The information above is for reference only, detailed specification is subject to final confirmation

Email: sales@cclmotors.com Website: <http://www.cclmotors.com>
4/F, No. 6, On Lok Mun Street, On Lok Tsuen, Fanling, N.T., Hong Kong.

Tel: (852) 3125 0000 Fax: (852) 3125 0125