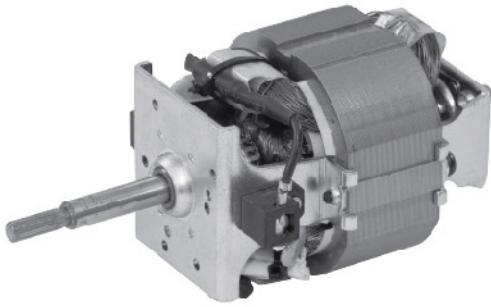
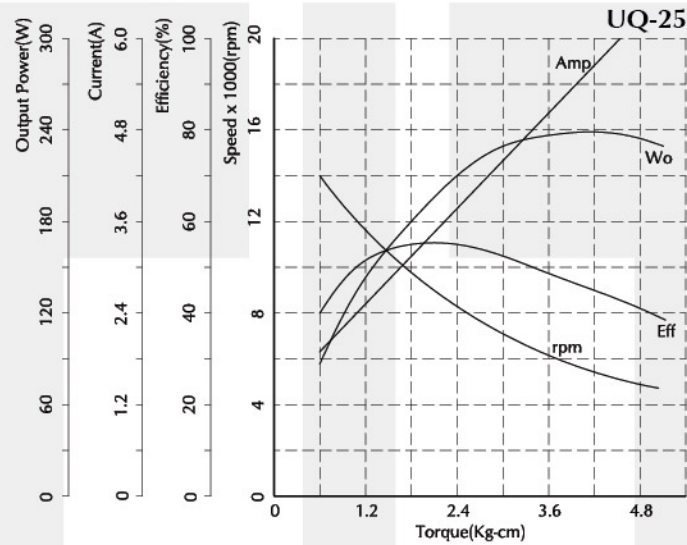


Universal Motor - UQ Series

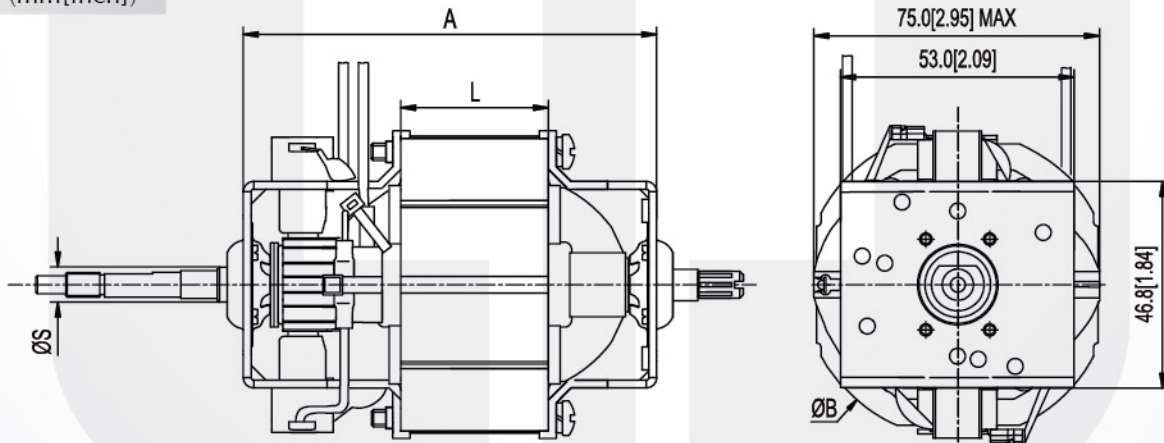


Voltage : 220 - 240V AC (50/60Hz)
 Rated Speed : 10,000 - 18,000rpm
 Rated Output Power: 100 - 400W
 Insulation Class : B, F
 Motor Diameter : $\varnothing 70\text{mm}$ [2.76inch]
 Typical Application : Blender, Food Processor

Performance Curve



Dimension (mm[inch])



Performance (testing under room temperature)

Model	Dim A mm[inch]	Dim B mm[inch]	Dim L mm[inch]	Dim S mm[inch]	Rated Torque (kg-cm[lb-in])	Rated Output Power (W)
UQ-20	20[0.79]	70[2.76]	78[3.07]	8.0[0.31]	1.0 - 2.5[0.87 - 2.17]	110 - 250
UQ-25	25[0.98]	70[2.76]	83[3.27]	8.0[0.31]	1.5 - 3.0[1.30 - 2.60]	130 - 275
UQ-30	30[1.18]	70[2.76]	88[3.46]	8.0[0.31]	1.5 - 3.5[1.30 - 3.04]	165 - 330
UQ-35	35[1.38]	70[2.76]	93[3.66]	8.0[0.31]	2.0 - 4.0[1.74 - 3.47]	220 - 415
UQ-40	40[1.57]	70[2.76]	98[3.89]	8.0[0.31]	2.5 - 5.0[2.17 - 4.34]	275 - 500
UQ-45	45[1.77]	70[2.76]	103[4.06]	8.0[0.31]	3.0 - 6.0[2.60 - 5.21]	330 - 550

The information above is for reference only, detailed specification is subject to final confirmation