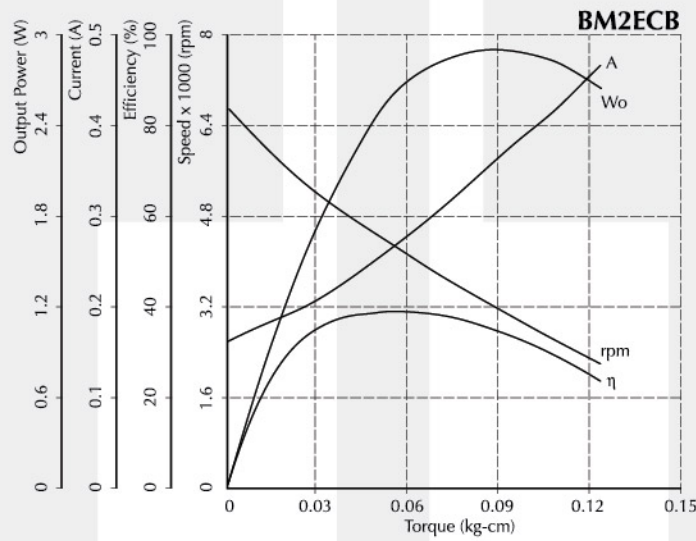




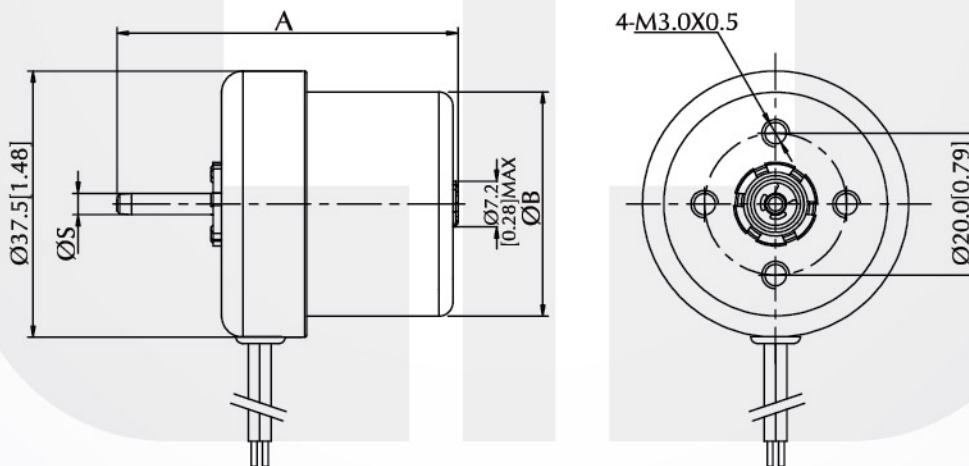
Brushless Motor - BM2ECB Series

Voltage : 24 - 48V DC
 Rated Speed : 4,200 - 10,000rpm
 Rated Output Power: 1.5 - 5W
 Insulation Class : A
 Motor Diameter : $\varnothing 32.1\text{mm}$ [1.26inch]
 Typical Application : Fan, Ventilator, Air Conditioner, Air Purifier

Performance Curve



Dimension (mm[inch])



Performance (testing under room temperature)

Model	Dim A mm[inch]	Dim B mm[inch]	Dim S mm[inch]	Rated Voltage (V DC)	Rated Speed (rpm)	Rated Current (A)	Rated Output Power (W)
BM2ECBN-001	49.0[1.93]	32.1[1.26]	3.0[0.12]	24	4,200	0.3	2.5

The information above is for reference only, detailed specification is subject to final confirmation

Email: sales@cclmotors.com Website: <http://www.cclmotors.com>
 4/F, No. 6, On Lok Mun Street, On Lok Tsuen, Fanling, N.T., Hong Kong.

Tel: (852) 3125 0000 Fax: (852) 3125 0125